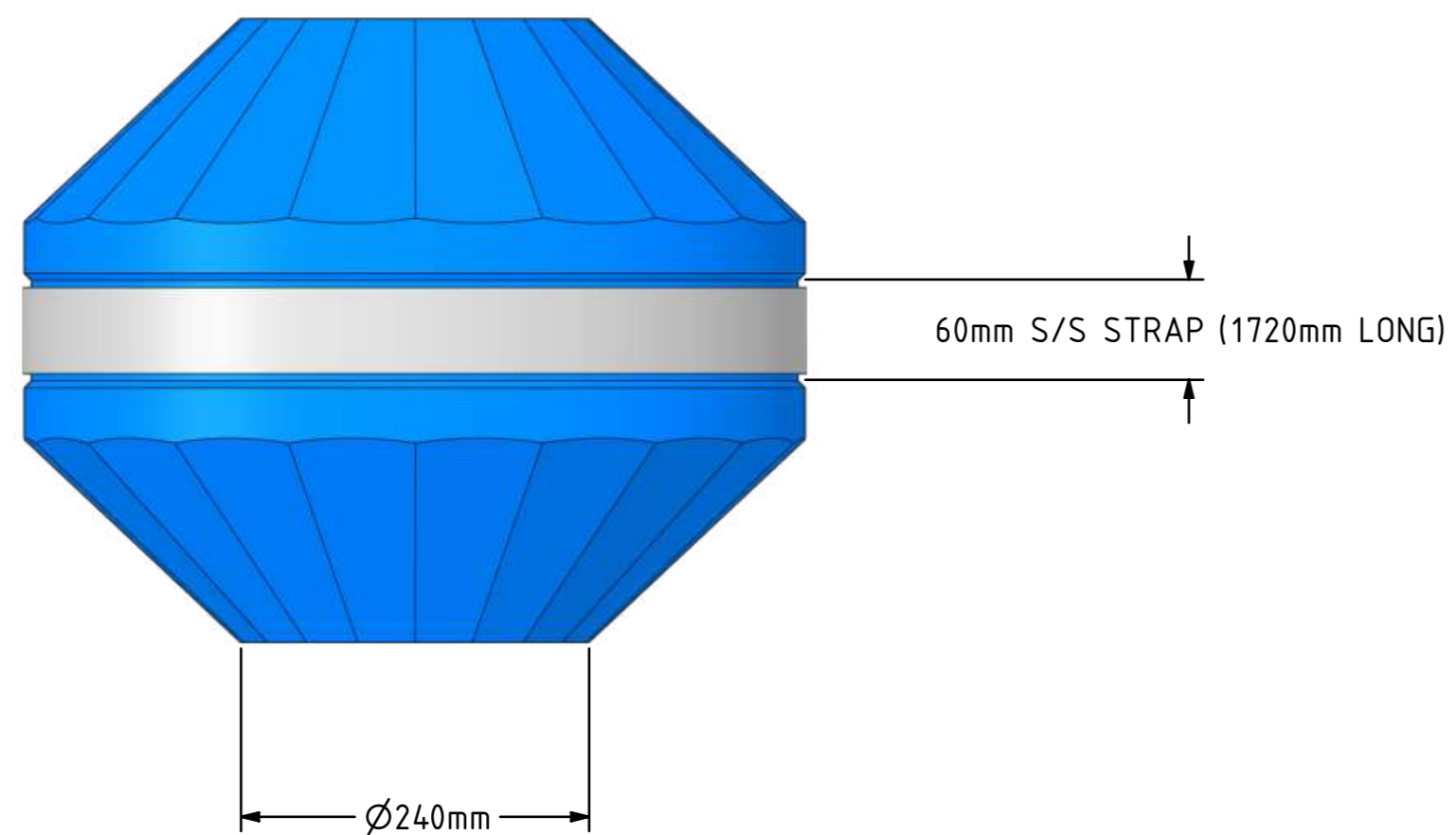


SCALE 1:5



CAPACITY 35KG

NOTES:  
SIZES INDICATED IN THIS DRAWING ARE SUBJECT TO MATERIAL SHRINK VARIATIONS AND MAY VARY WITH APPROXIMATELY 3%.

	Date	Name	TITLE: PIPE FLOATS
DRAWN			
CHECKED			
ENG. APPR.			
MEG APPR.			

PROPRIETARY AND CONFIDENTIAL  
THE INFORMATION CONTAINED IN THIS DRAWING IS  
THE SOLE PROPERTY OF ROTOTANK. ANY  
REPRODUCTION IN PART OR AS A WHOLE WITHOUT  
THE WRITTEN PERMISSION OF ROTOTANK IS  
PROHIBITED.

DWG No.	
FT85H	
SHEET	1