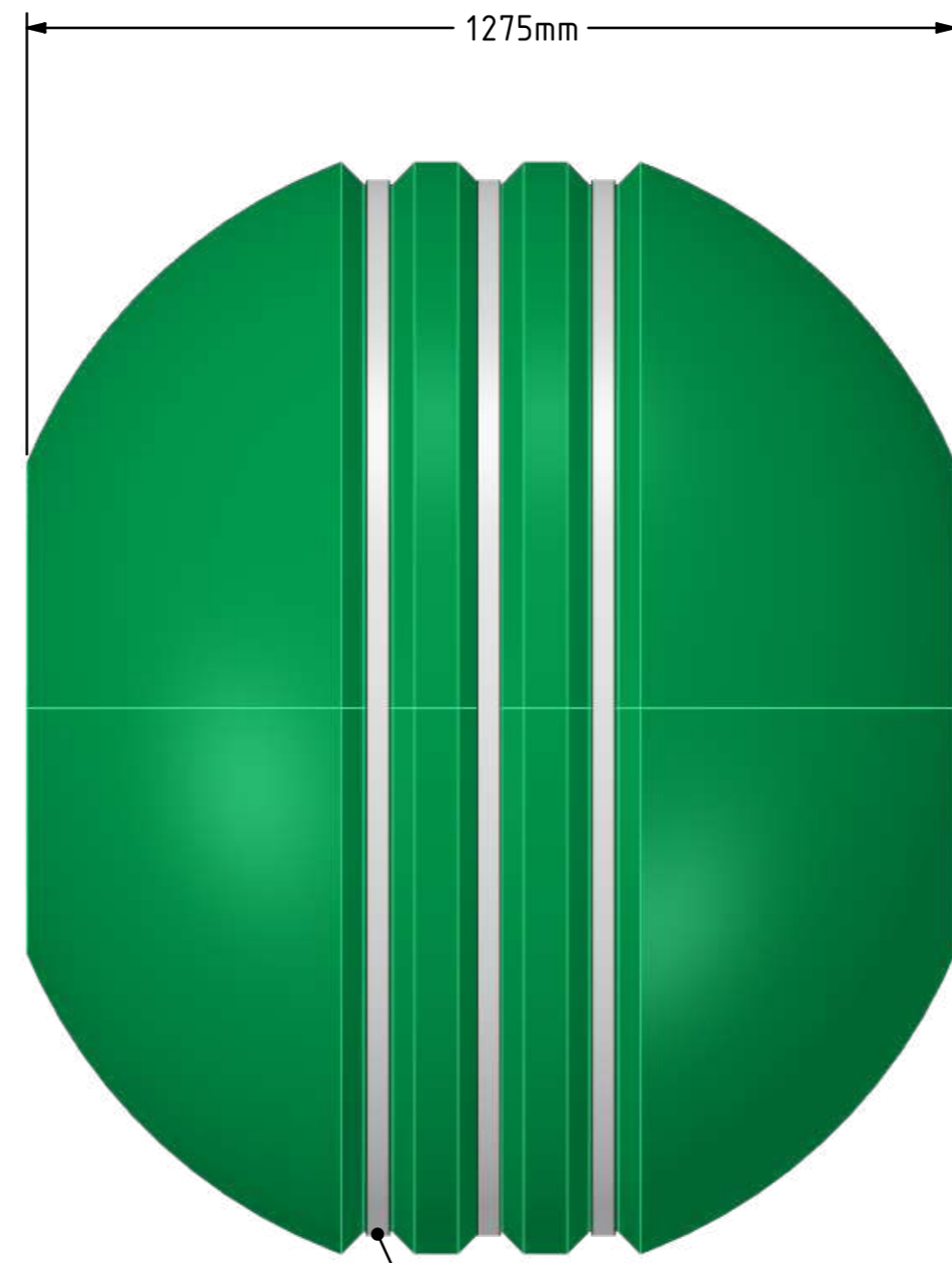


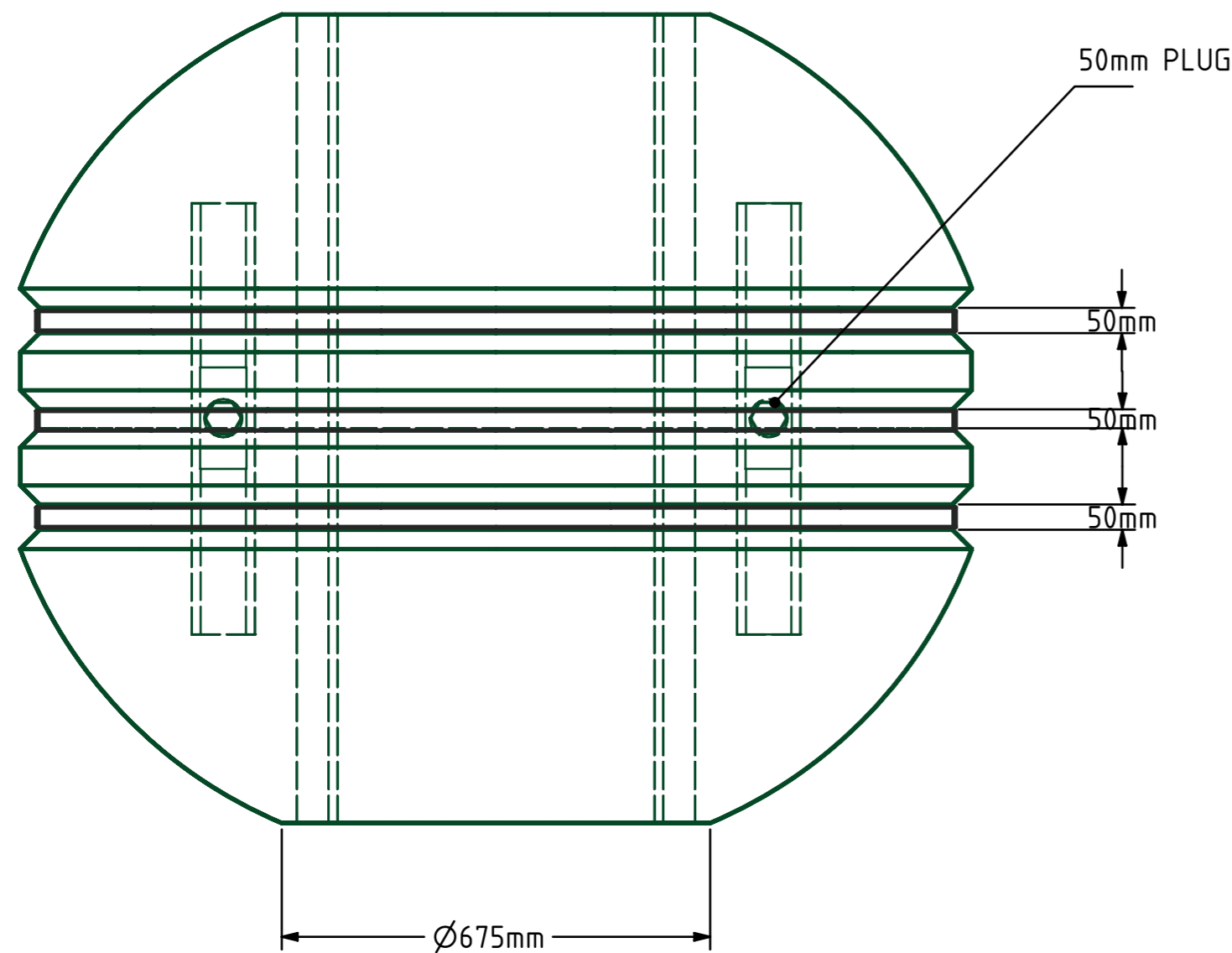
SCALE 1:10



x3 STRAP 30x4520mm



CAPACITY 580kg



NOTES:
SIZES INDICATED IN THIS DRAWING ARE SUBJECT TO MATERIAL SHRINK VARIATIONS AND MAY VARY WITH APPROXIMATELY 3%.

DRAWN	Date	Name	TITLE: PIPE FLOATS	
CHECKED				
ENG. APPR.				
MEG APPR.				
PROPRIETARY AND CONFIDENTIAL THE INFORMATION CONTAINED IN THIS DRAWING IS THE SOLE PROPERTY OF ROTOTANK. ANY REPRODUCTION IN PART OR AS A WHOLE WITHOUT THE WRITTEN PERMISSION OF ROTOTANK IS PROHIBITED.			DWG No. FT500H	
			SHEET	1