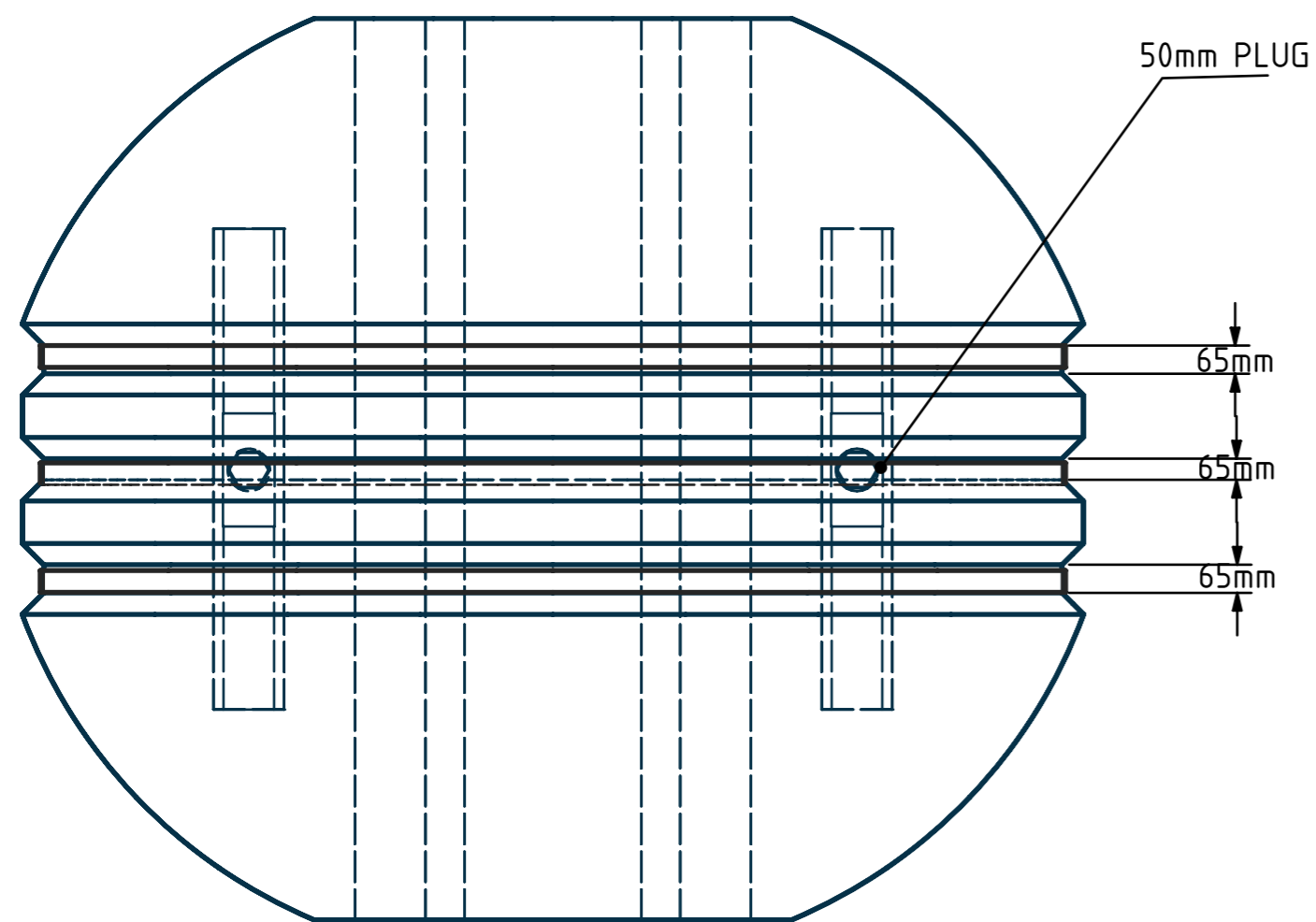


CAPACITY 520kg



NOTES:
 SIZES INDICATED IN THIS DRAWING ARE SUBJECT TO MATERIAL SHRINK VARIATIONS AND MAY VARY WITH APPROXIMATELY 3%.

	Date	Name	TITLE: PIPE FLOATS
DRAWN			
CHECKED			
ENG. APPR.			
MEG APPR.			

PROPRIETARY AND CONFIDENTIAL THE INFORMATION CONTAINED IN THIS DRAWING IS THE SOLE PROPERTY OF ROTOTANK. ANY REPRODUCTION IN PART OR AS A WHOLE WITHOUT THE WRITTEN PERMISSION OF ROTOTANK IS PROHIBITED.		DWG No. FT250H
SHEET	1	1