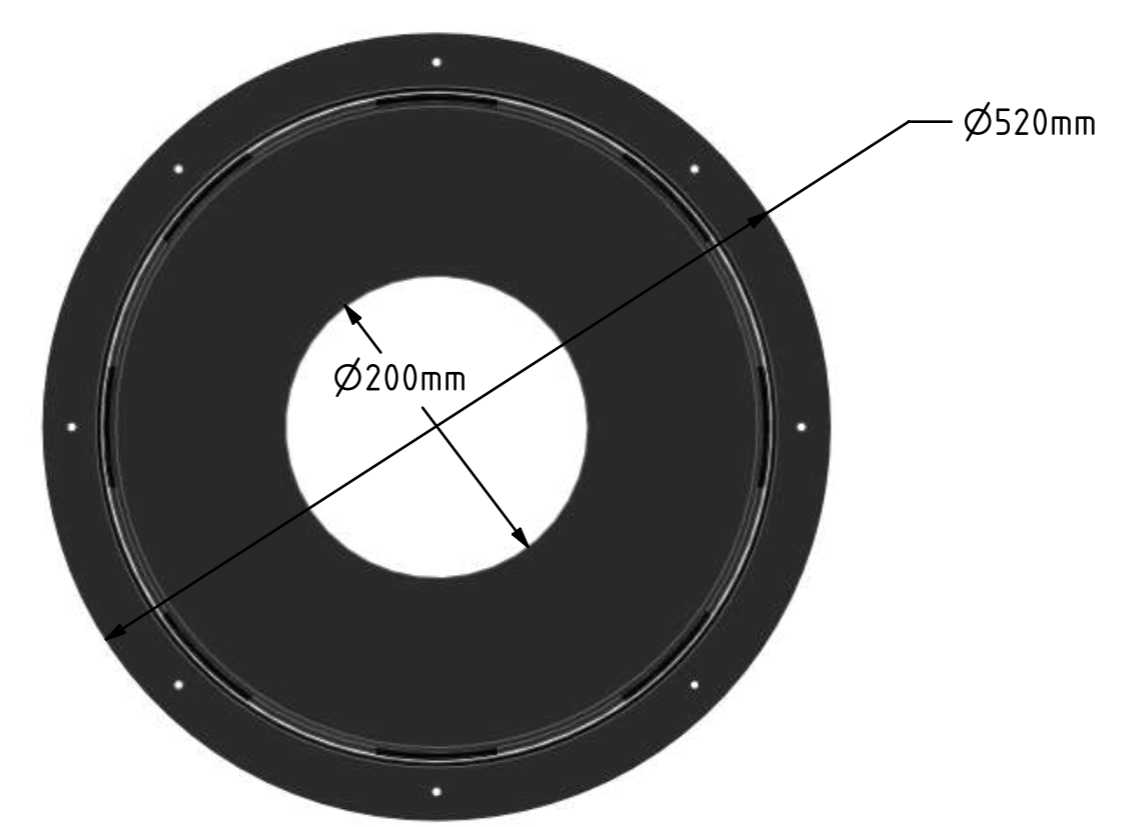
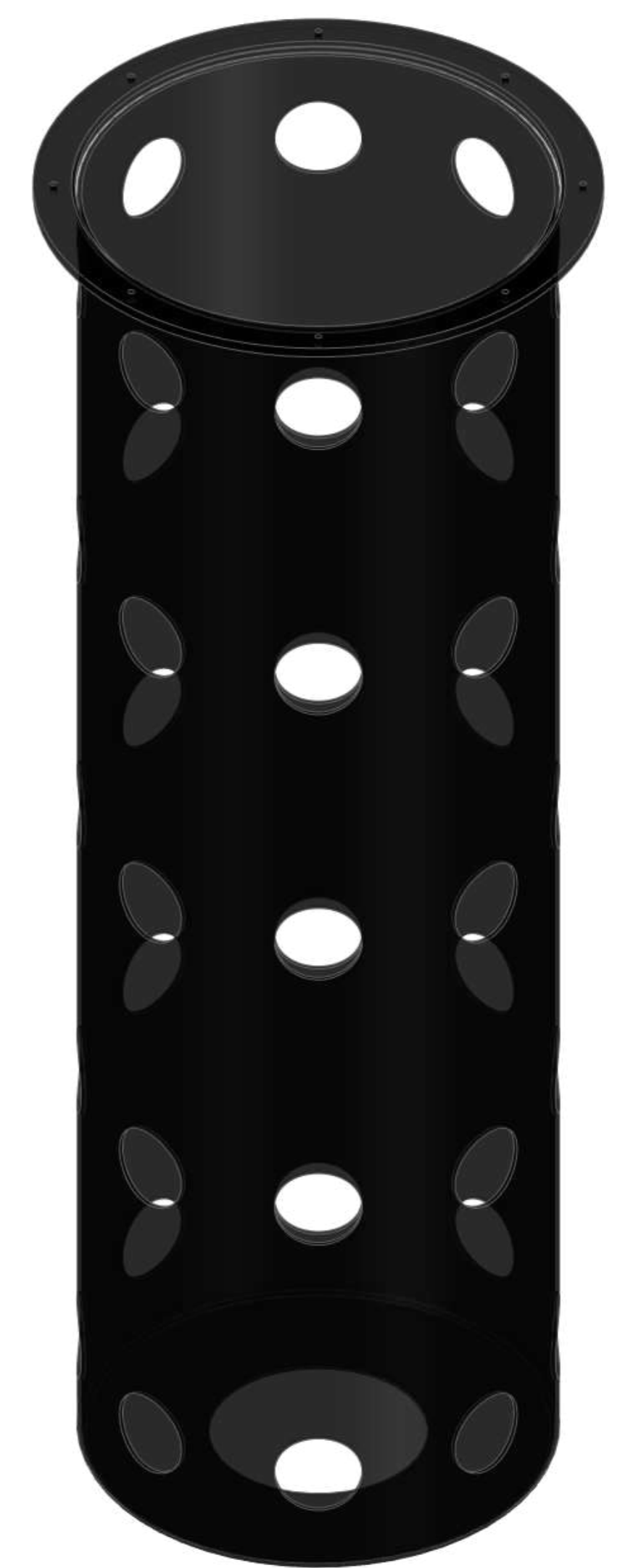


SCALE 1:5



SCALE 1:5



SCALE 1:5

NOTES:
SIZES INDICATED IN THIS DRAWING ARE SUBJECT TO MATERIAL SHRINK VARIATIONS AND MAY VARY WITH APPROXIMATELY 3%.

| Date | Name |
|------------|------|
| DRAWN | |
| CHECKED | |
| ENG. APPR. | |
| MEG. APPR. | |

TITLE: BAFFLE TUBES



PROPRIETARY AND CONFIDENTIAL
THE INFORMATION CONTAINED IN THIS DRAWING IS
THE SOLE PROPERTY OF ROTOTANK. ANY
REPRODUCTION IN PART OR AS A WHOLE WITHOUT
THE WRITTEN PERMISSION OF ROTOTANK IS
PROHIBITED.

DWG No.
BT-6000

SHEET 1