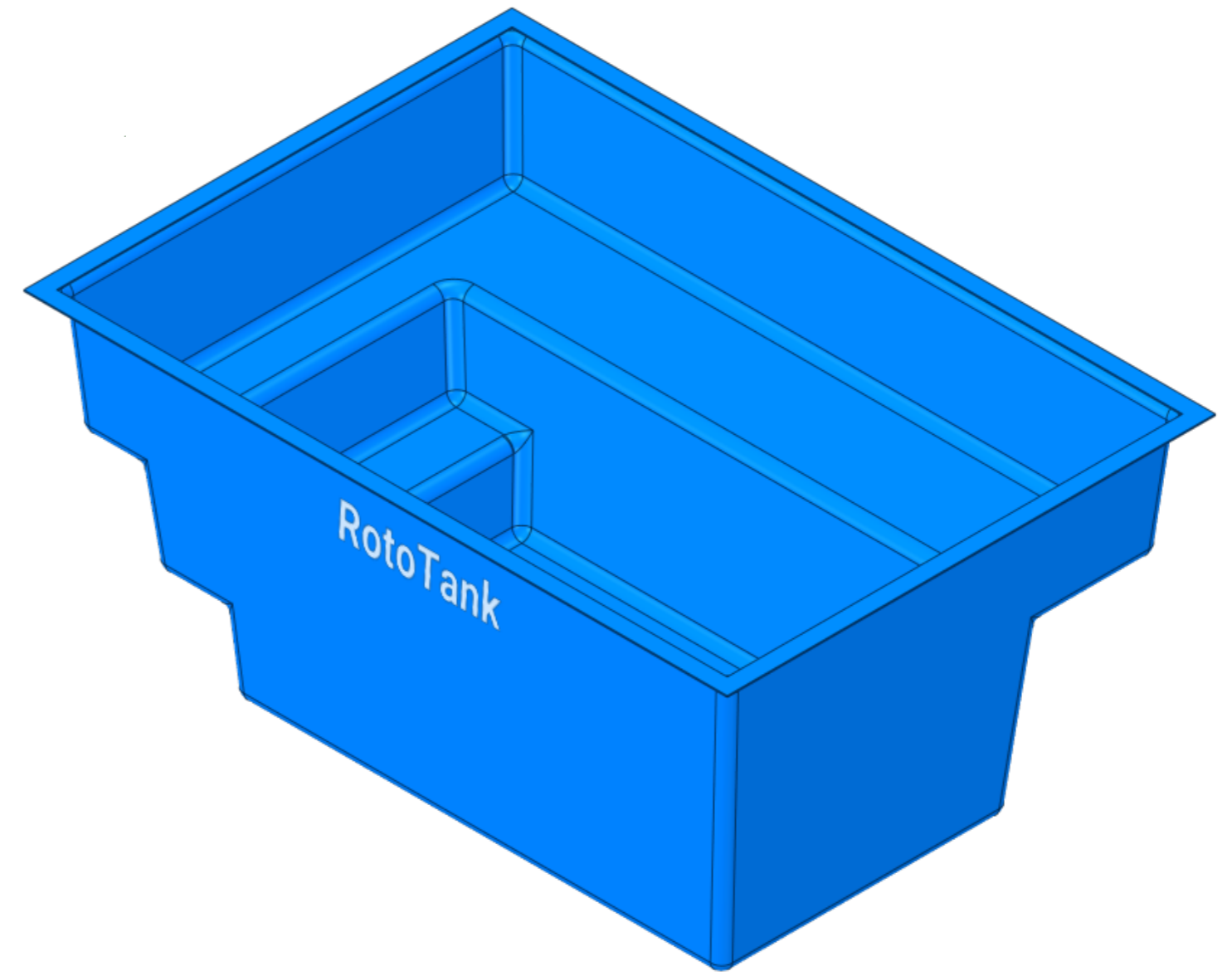
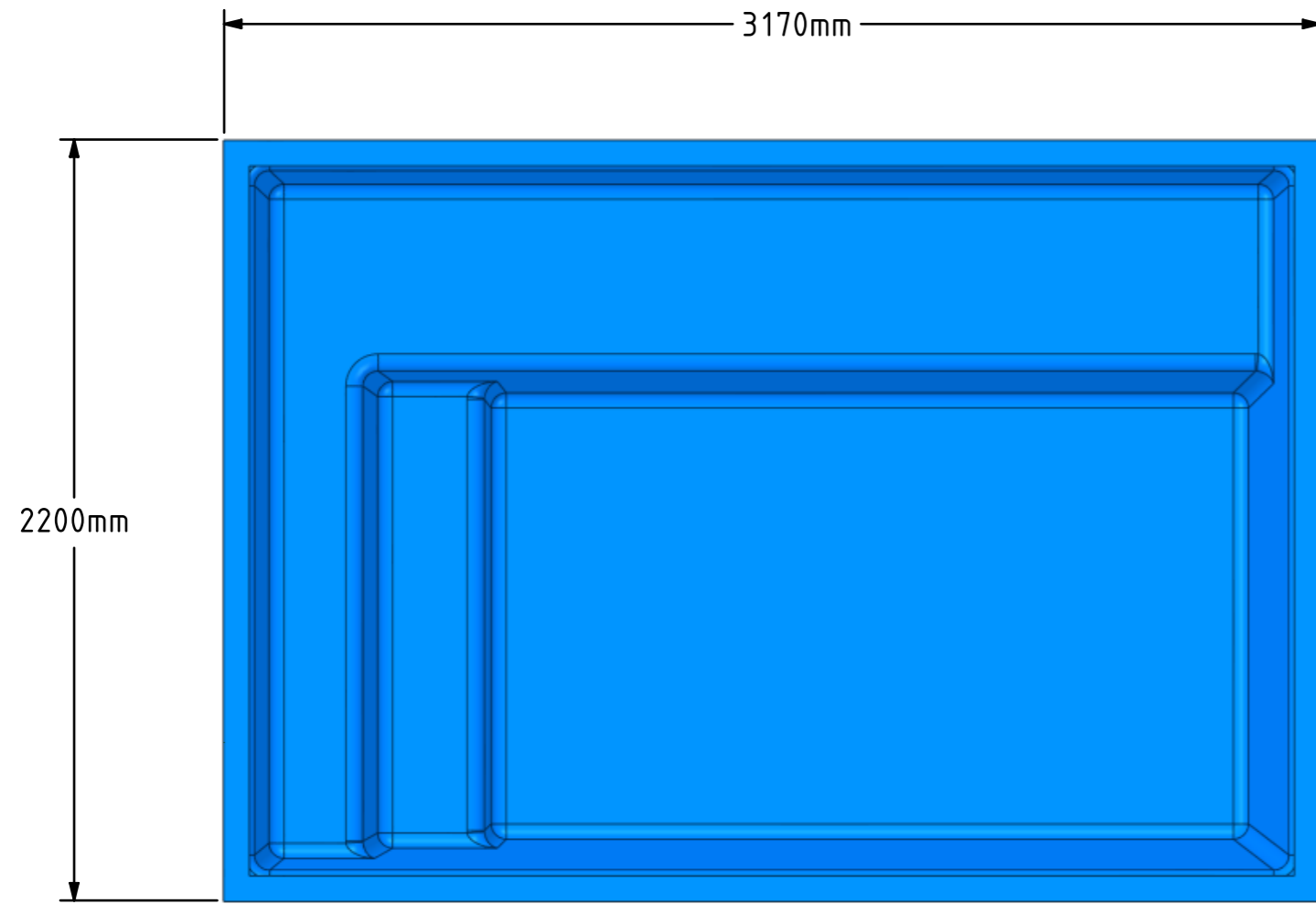
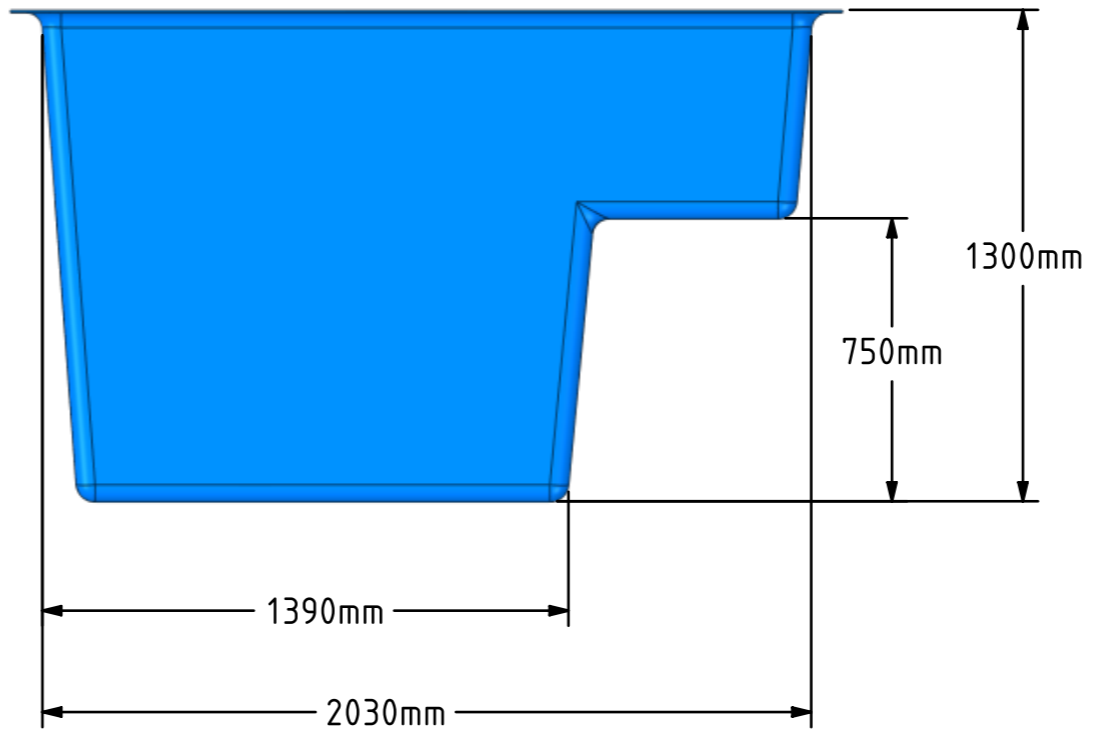


SCALE 1:20



CAPACITY: 5500Lt
 NET WEIGHT: 150kg
 MATERIAL THICKNESS: +/- 9mm

Date	Name
DRAWN	
CHECKED	
ENG. APPR.	
MFG APPR.	

TITLE: PONDS AND POOLS

PROPRIETARY AND CONFIDENTIAL
 THE INFORMATION CONTAINED IN THIS DRAWING IS
 THE SOLE PROPERTY OF ROTOTANK. ANY
 REPRODUCTION IN PART OR AS A WHOLE WITHOUT
 THE WRITTEN PERMISSION OF ROTOTANK IS
 PROHIBITED.

DWG No.
SWIMMING POOL
 SHEET 1

NOTES:
 SIZES INDICATED IN THIS DRAWING ARE SUBJECT TO MATERIAL SHRINK VARIATIONS AND MAY VARY WITH APPROXIMATELY 3%.