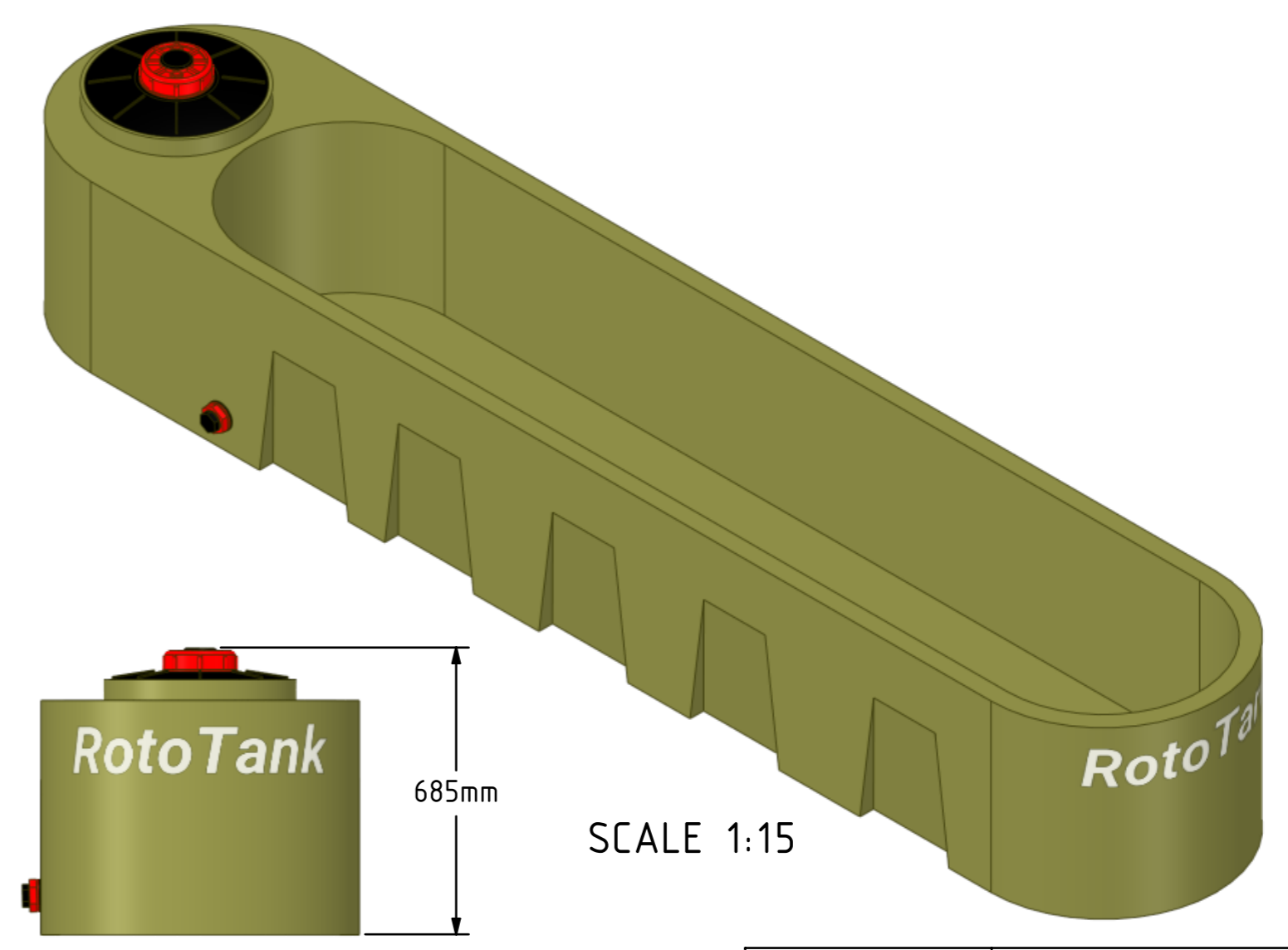
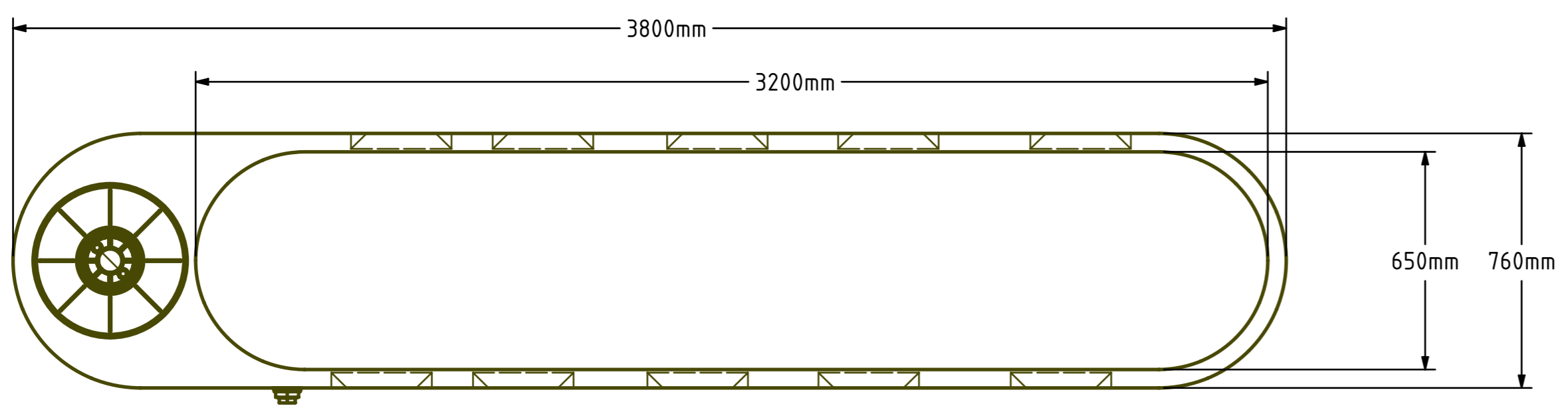




SCALE 1:15



SCALE 1:15



ACCESSORIES	
	40mm Reducing Bush
	450mm LID
	Red Adapter Fitting
	Stockman Float Valve

Date	Name
DRAWN	
CHECKED	
ENG. APPR.	
MFG APPR.	

TITLE: WATER TANK TROUGHS



Manufacturers of Water, Chemical, Transport, Septic tanks and Silos

PROPRIETARY AND CONFIDENTIAL
 THE INFORMATION CONTAINED IN THIS DRAWING IS
 THE SOLE PROPERTY OF ROTOTANK. ANY
 REPRODUCTION IN PART OR AS A WHOLE WITHOUT
 THE WRITTEN PERMISSION OF ROTOTANK IS
 PROHIBITED.

DWG No.
WT1800HC

SHEET 1

NOTES:
 SIZES INDICATED IN THIS DRAWING ARE SUBJECT TO MATERIAL SHRINK VARIATIONS AND MAY VARY WITH APPROXIMATELY 3%.