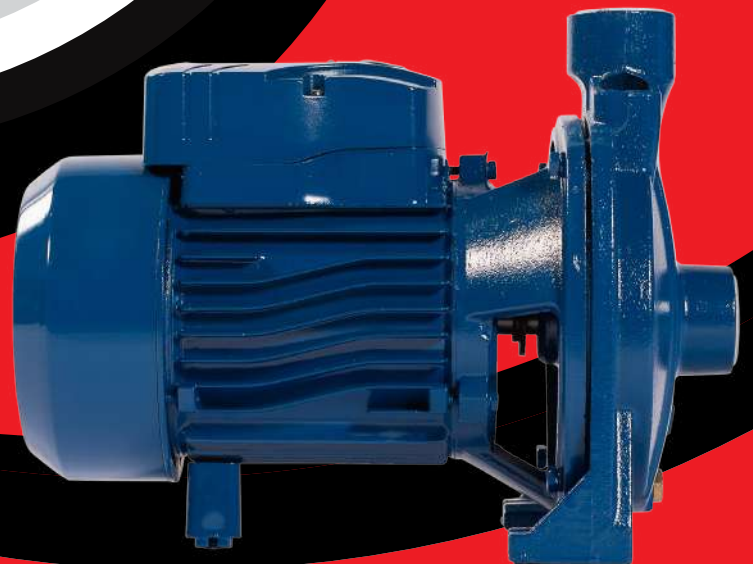


CENTRIFUGAL RANGE

CPM BOOSTER

 **RotoTank**™ 

Manufacturers of Water, Chemical, Transport, Septic tanks and Silos



SINGLE STAGE PUMPS

CPM

This series of electric pumps is small in size, light in weight, compact in structure and easy to install. It is an ideal high-efficiency and energy-saving household electric pump. It is widely used in farmland irrigation, sprinkler irrigation, garden sprinkler irrigation, vegetable greenhouse water supply, and aquaculture water supply and drainage. And the occasions where domestic water is used for water extraction from wells, tap water pressurization, etc.

MODEL INSTRUCTION



PUMP CONFIGURATION

Pump Body:	Cast iron
Impeller:	Brass or stainless steel
Motor Shaft:	45# steel or stainless steel
Mechanical Seal:	Ceramic - graphite

PUMP FEATURES

- ✔ Overload protection
- ✔ Small size, light weight
- ✔ Low noise operation
- ✔ Compact structure, easy to install

PUMP USE PRECAUTIONS

- ✔ Before the first use, the water storage tank should be filled with water;
- ✔ The PH value of the medium is between 6.5-8.5;
- ✔ The ratio of solid impurities in water does not exceed 0.1%, and the particle size is not larger than 0.2mm;
- ✔ When the temperature is lower than 0°C, antifreeze work should be done.

TECHNICAL SPECIFICATIONS

✔ Max.Power:	Up to 2.2kW
✔ Max.Flow:	133 l/min
✔ Max.Head:	55 m
✔ Suct.Max:	7 m
✔ Size:	1"×1"



The pump is mainly composed of three parts: motor, water pump and seal. A single-end mechanical seal is installed between the water pump and the motor. "O"-shaped oil-resistant rubber sealing ring is used for static sealing at the sealing part of the fixed stop.

6 ADVANTAGES

- ✔ Easy to install
- ✔ Energy efficient
- ✔ Overload protection
- ✔ Copper wire motor
- ✔ Low-noise operation
- ✔ High lift

PERFORMANCE

CPM

PUMP CONFIGURATION

Adopting excellent hydraulic design and reasonable structural equipment, the electric pump has higher efficiency, more stable and quieter operation than similar products



HIGH QUALITY BEARING

Wear resistant, smooth running, no jamming



COPPER WIRE MOTOR

High-quality thickened copper wire; Cold-rolled 800 silicon steel sheet; Built-in thermal protector.



MACHANICAL SEAL

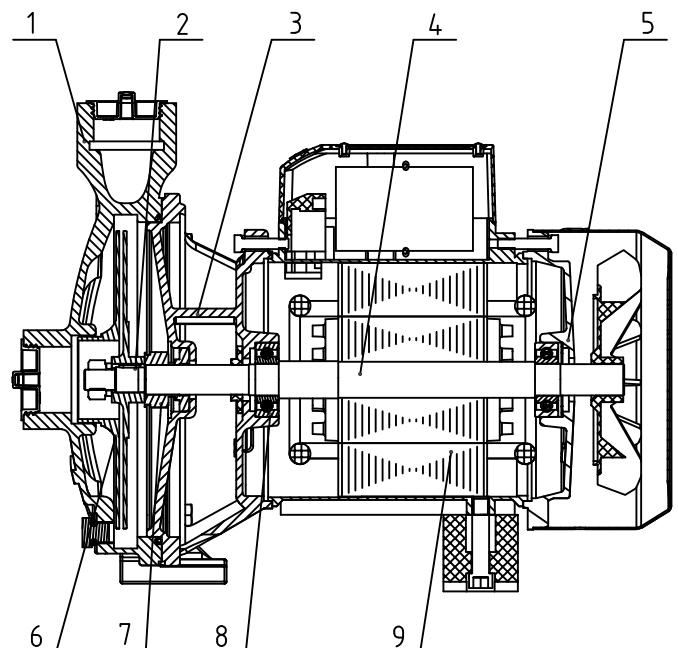
Ceramic to graphite material, better improve the sealing of the product

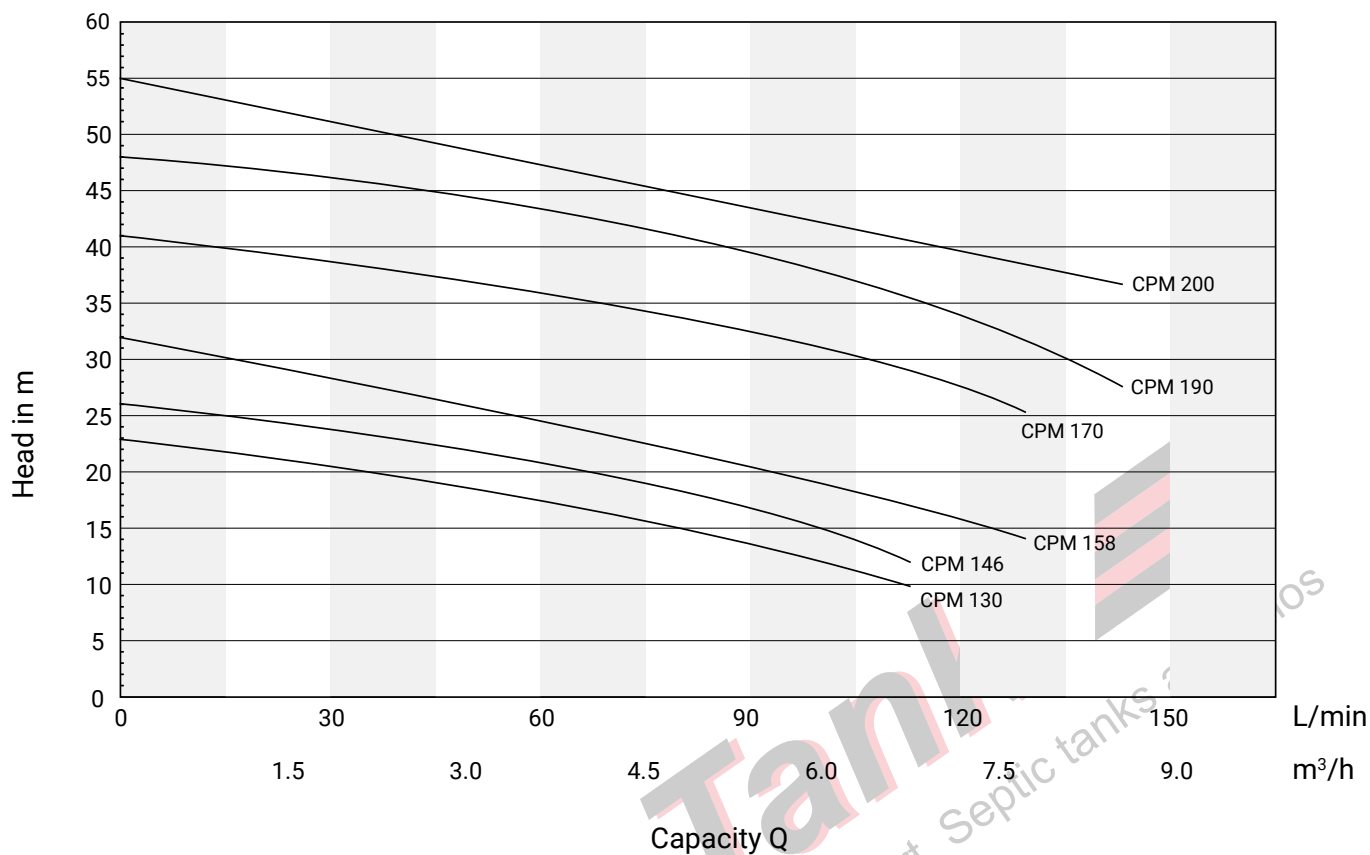


304 STAINLESS STEEL WELDED SHAFT

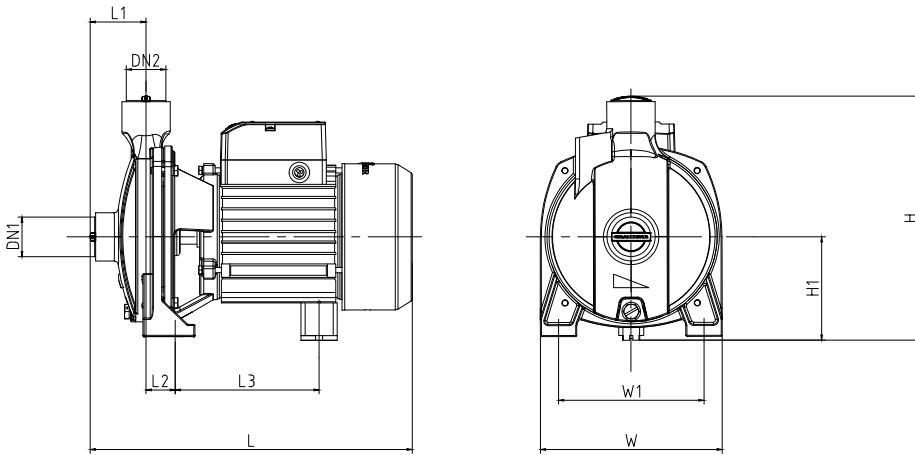
Made of intelligent finishing casting, running smoothly, reducing wear and noise

POS.	COMPONENT	CONSTRUCTION CHARACTERISTICS
1	PUMP BODY	Cast iron
2	KEY	Stainless steel
3	COUPLING	Deep groove ball bearing
4	ROTOR	45# steel or stainless steel
5	END COVER	Stainless steel
6	IMPELLER	Brass or stainless steel
7	MECHANICAL SEAL	Ceramic - graphite
8	BEARING	Deep groove ball bearings
9	STATOR CORE	Stator core with winding





Model		Power	Suct. Max.	Size	N/W(kg)		Q(m³/h)	0	0.9	1.8	2.7	3.6	4.5	5.4	6.3	7.2	8
Single-phase	Three phase	kW	m	Inch	Single-phase	Three phase	Q(L/min)	0	15	30	45	60	75	90	105	120	133
CPM130		0.37	7	1"x1"	9.1		H(m)	23	20	19.5	17.5	16	13.5	11	7		
CPM146		0.55	7	1"x1"	12.5			26	25	24	23.2	19	14.5	12	9		
CPM158	CP158	0.75	7	1"x1"	14.5	13.5		32	30	28	25	22	19	17	14	10	
CPM170	CP170	1.1	7	1¼"x1"	19.5	18.7		41	39	37.5	36.5	35	32	29	24.5	22	
CPM190	CP190	1.5	7	1"x1"	24	23.6		48	47	45.5	44	41	41	39	35.5	31	23
CPM200	CP200	2.2	7	1"x1"	30.5	29.5		55	53	50	48	42.2	42.2	40.5	37	35	33



PRODUCT DIMENSIONS

Model	Dimensions(mm)									
	DN1	DN2	L	W	H	L1	L2	L3	W1	H1
CPM130	1"	1"	267	161	217	50	35	114	125	87
CPM146	1"	1"	310	175	231	54	36	131	140	100
CPM158	CP158	1"	310	190	248	54	40	134	151	103
CPM170	CP170	1.25"	357	205	274	57	38	169	164	119
CPM190	CP190	1"	353	229	296	62	41	155	187	126
CPM200	CP200	1"	416	229	282	62	41	184	187	117

PACKAGING DIMENSIONS

POS	Model	G.W(kg)	L(cm)	W(cm)	H(cm)
1	CPM130	9.5	29	17.7	22.5
2	CPM146	12.5	34.8	20.2	27
3	CPM158	13.5	34.8	20.2	27
4	CPM170	22	41	25	29
5	CPM190	23.1	41	28.5	34
6	CPM200	33.5	45.5	28	34
7	CP158	13.5	34.8	20.2	27
8	CP170	22	41	25	29
9	CP190	26	41.5	25	29
10	CP200	30	45.5	28	34