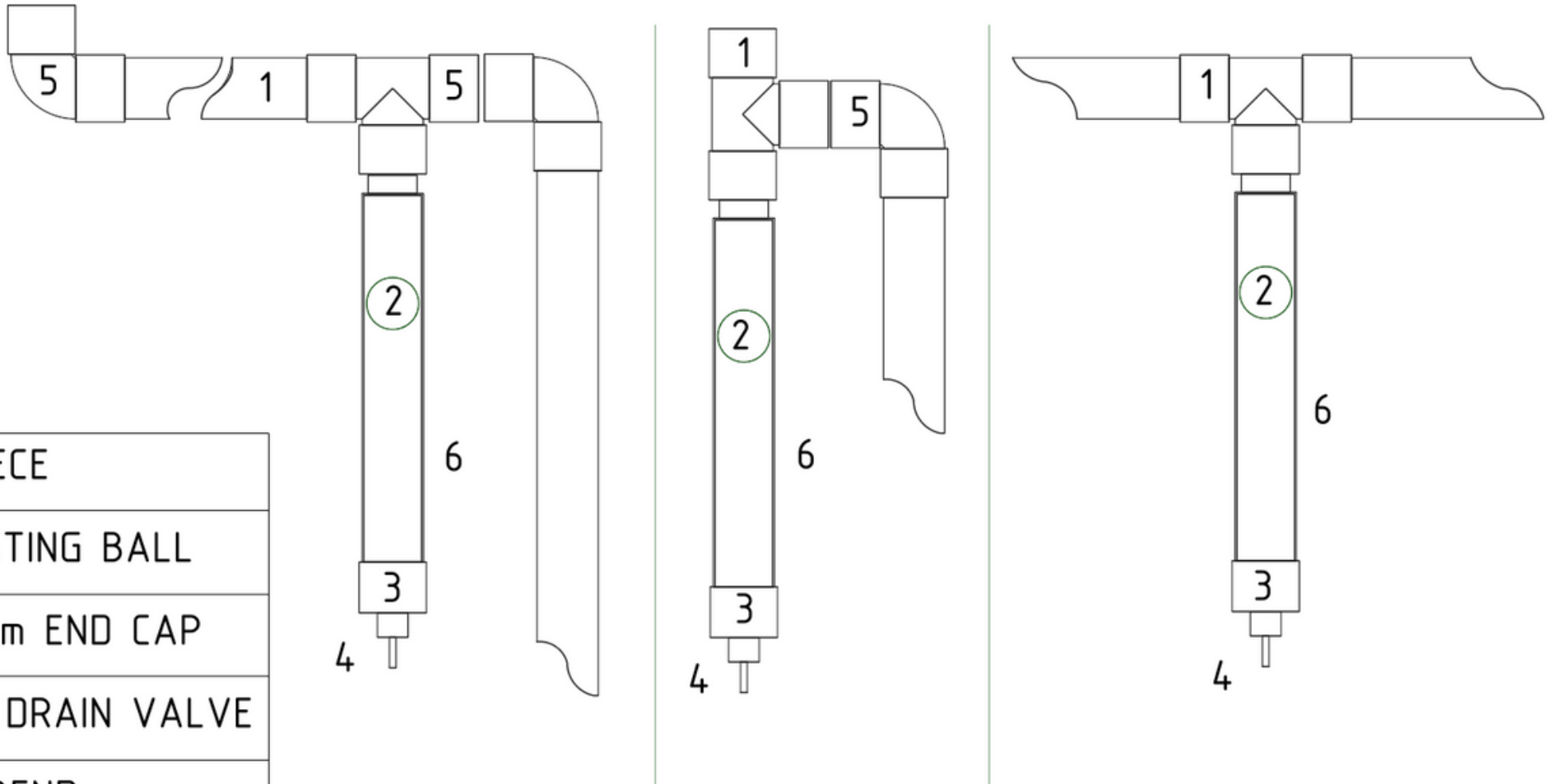




Manufacturers of Water, Chemical, Transport, Septic tanks and Silos

First Flush Set up Options



1	T-PIECE
2	FLOATING BALL
3	110mm END CAP
4	1/2" DRAIN VALVE
5	90° BEND
6	110mm TO LENGTH