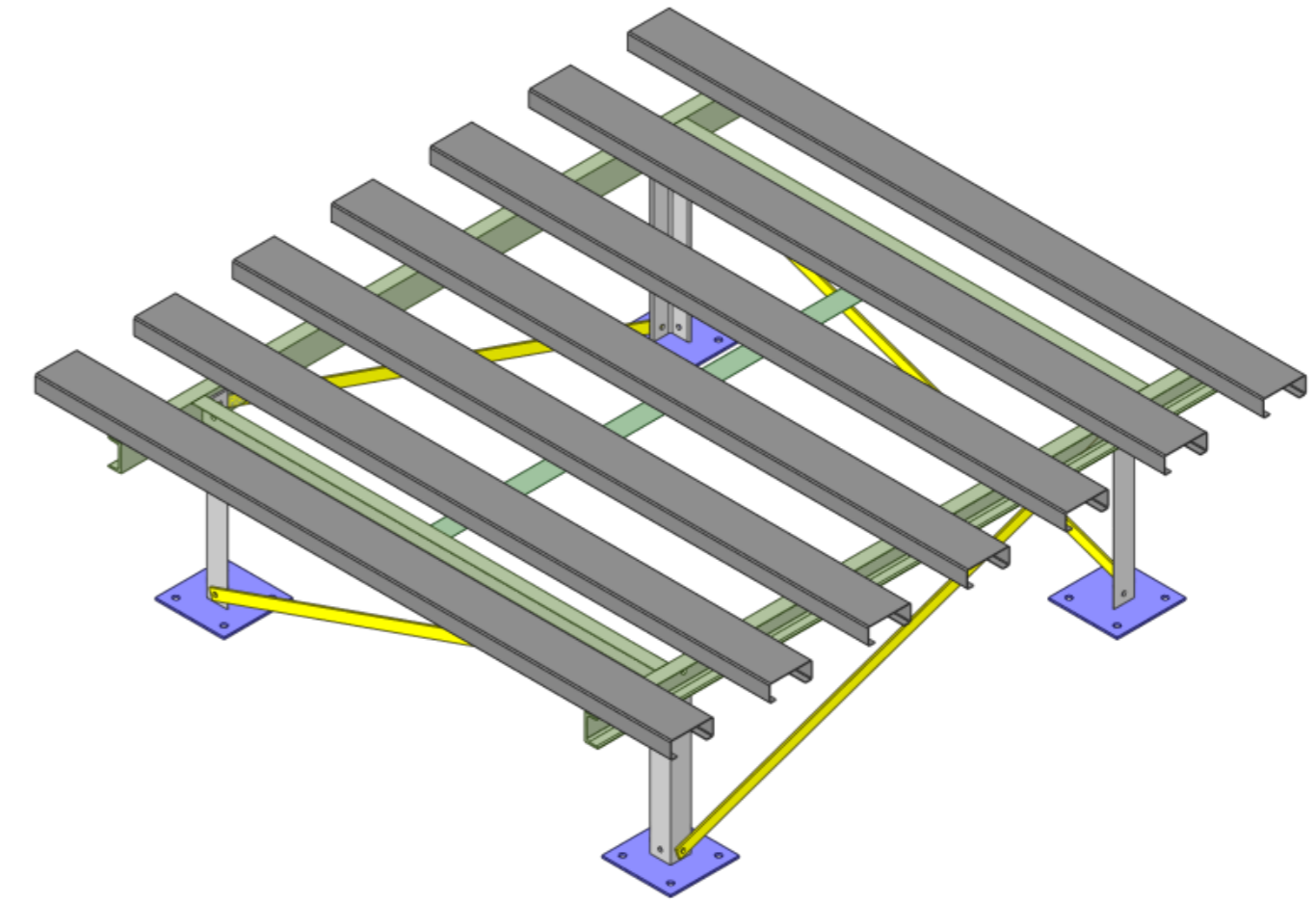
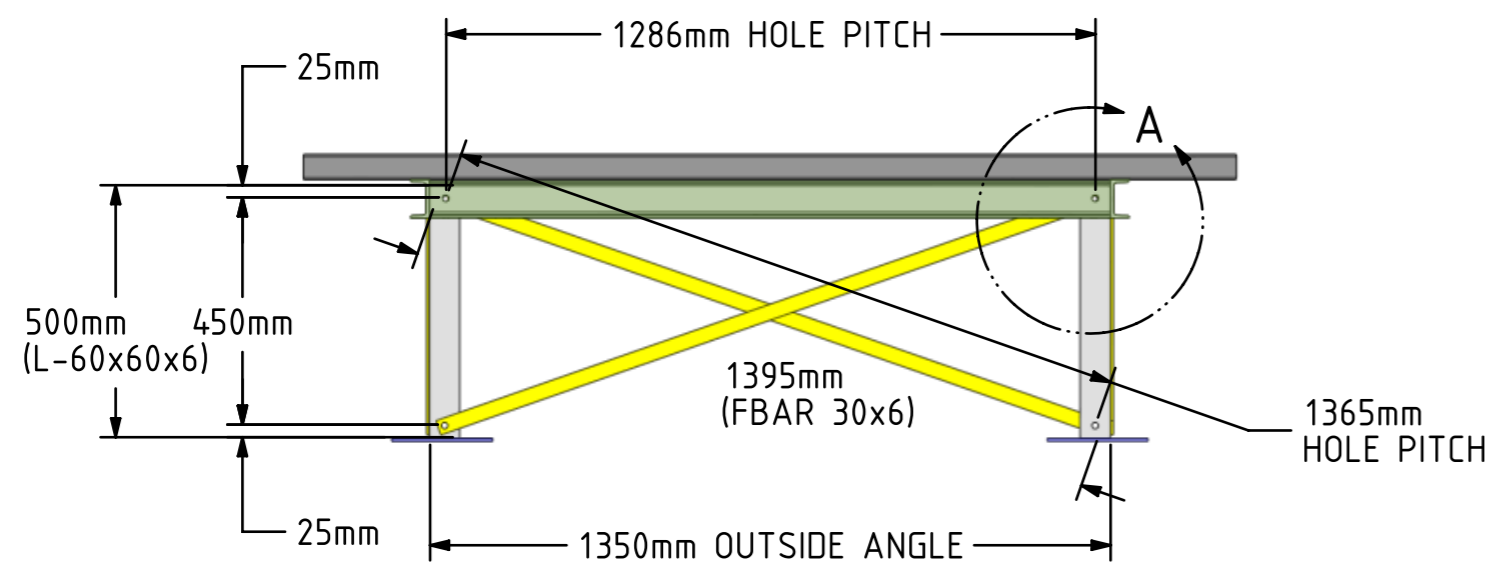


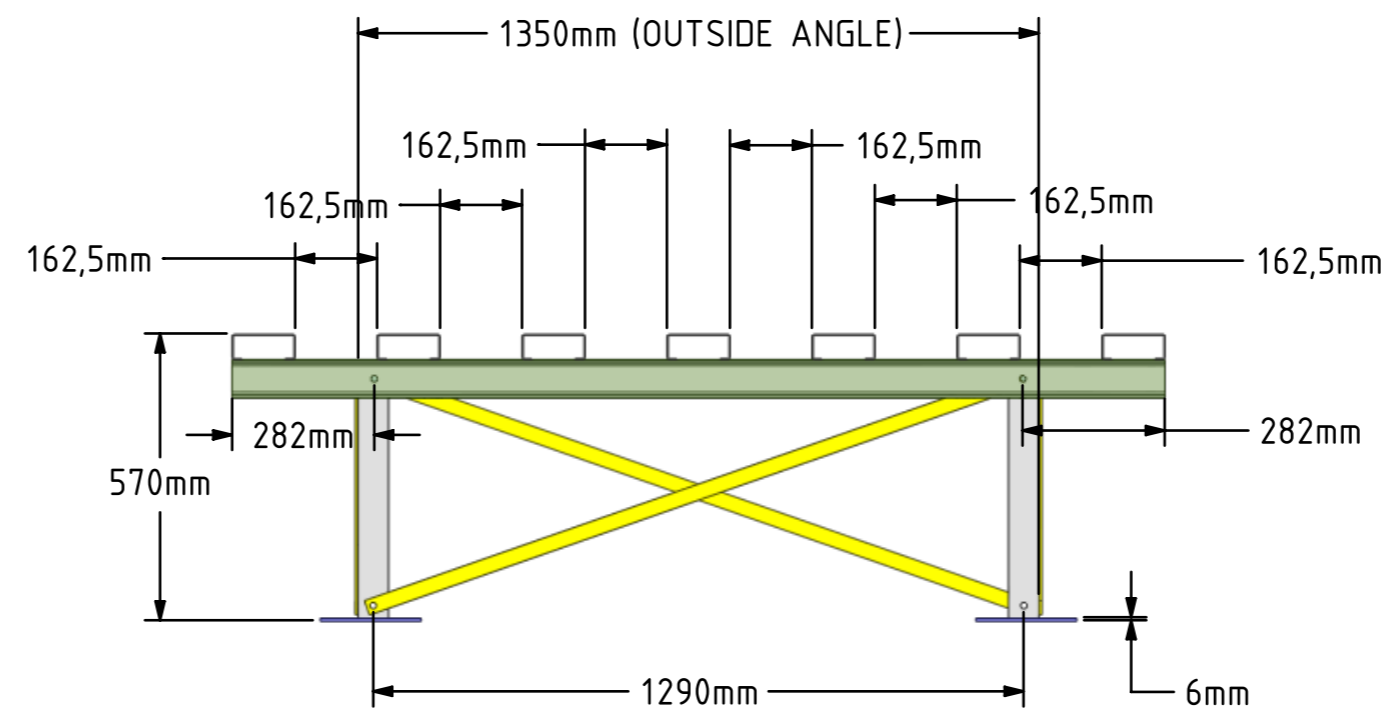
DETAIL A
SCALE 1:8



SCALE 1:15



SCALE 1:15



Date	Name
DRAWN	
CHECKED	
ENG. APPR.	
MFG APPR.	

TITLE: VERTICAL WATER TANK STANDS



PROPRIETARY AND CONFIDENTIAL
THE INFORMATION CONTAINED IN THIS DRAWING IS
THE SOLE PROPERTY OF ROTOTANK. ANY
REPRODUCTION IN PART OR AS A WHOLE WITHOUT
THE WRITTEN PERMISSION OF ROTOTANK IS
PROHIBITED.

DWG No.

0,5 5000L

SHEET

1

NOTES:
ALL PARTS GALVANIZED.