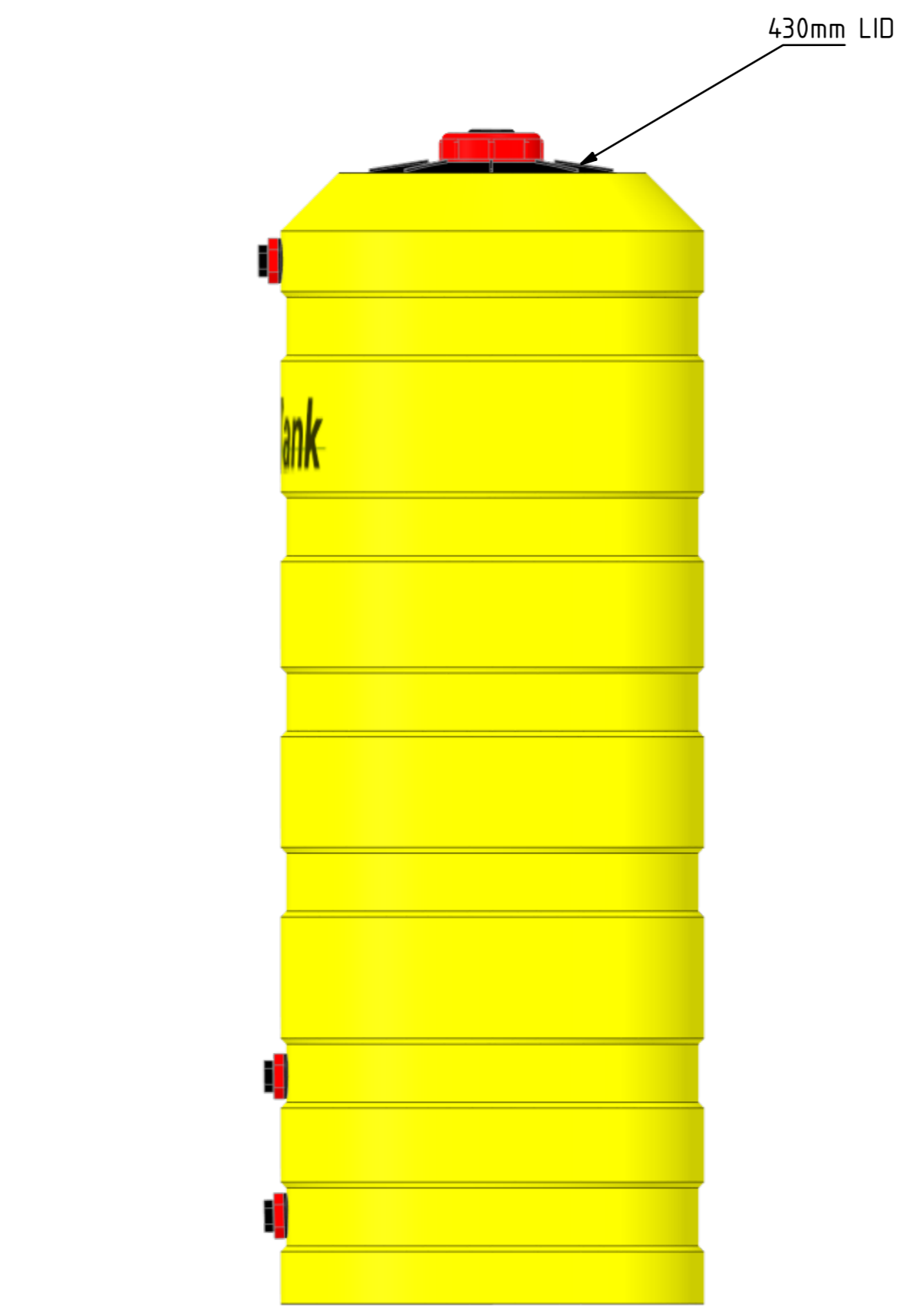
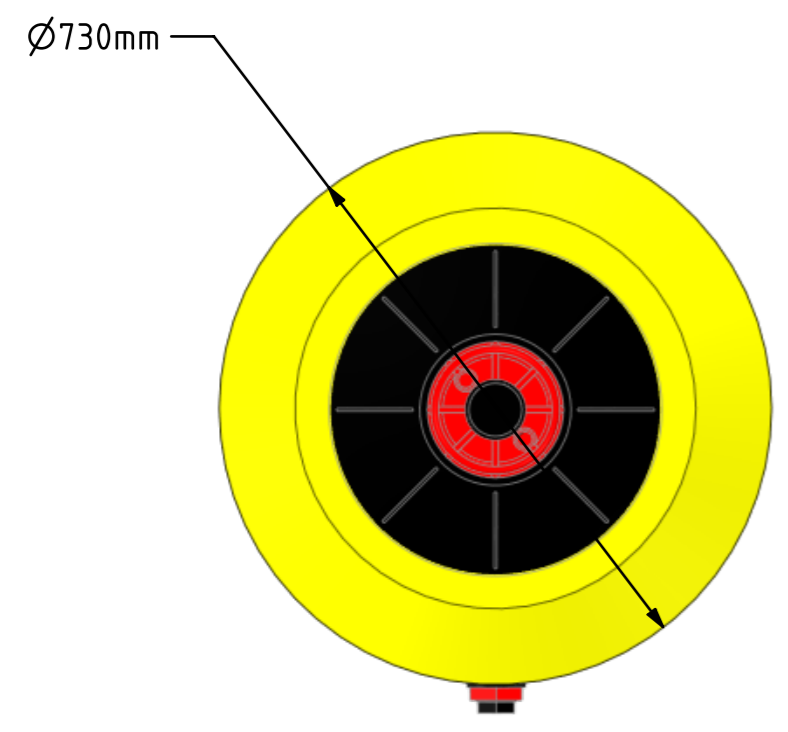


8 7 6 5 4 3 2 1



SCALE 1:10

SCALE 1:10



ACCESSORIES	
	50mm Red Fitting
	430mm LID

Date	Name
DRAWN	
CHECKED	
ENG. APPR.	
MFG APPR.	

TITLE: VERTICAL CHEMICAL STORAGE TANKS



Manufacturers of Water, Chemical, Transport, Septic tanks and Silos

NOTES:
SIZES INDICATED IN THIS DRAWING ARE SUBJECT TO MATERIAL SHRINK VARIATIONS AND MAY VARY WITH APPROXIMATELY 3%.

PROPRIETARY AND CONFIDENTIAL
THE INFORMATION CONTAINED IN THIS DRAWING IS
THE SOLE PROPERTY OF ROTOTANK. ANY
REPRODUCTION IN PART OR AS A WHOLE WITHOUT
THE WRITTEN PERMISSION OF ROTOTANK IS
PROHIBITED.

DWG No.	V800C-SLIM
SHEET	1

8 7 6 5 4 3 2 1