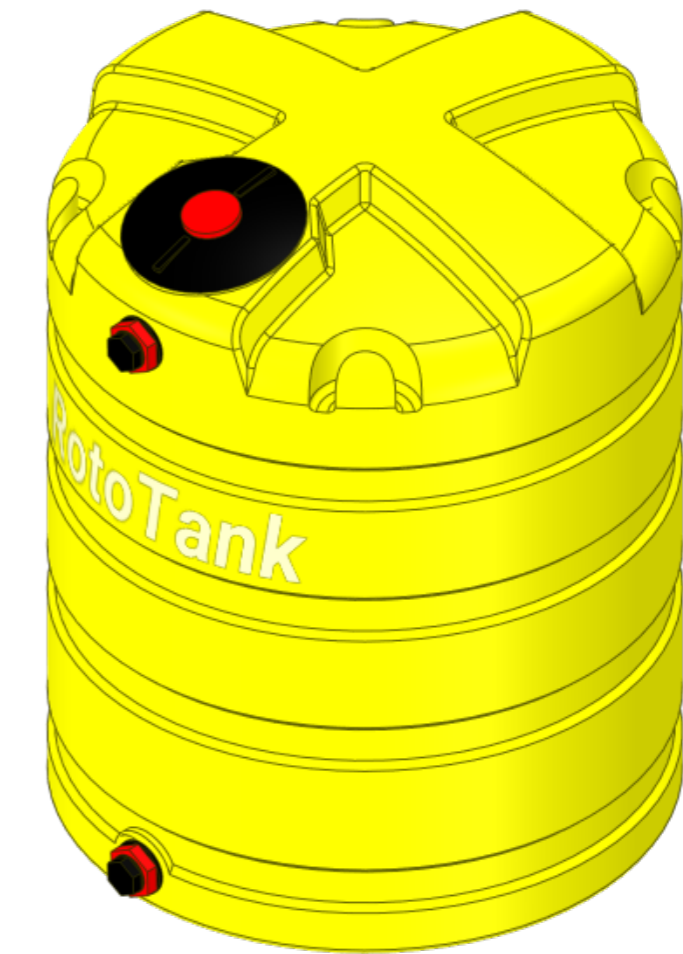
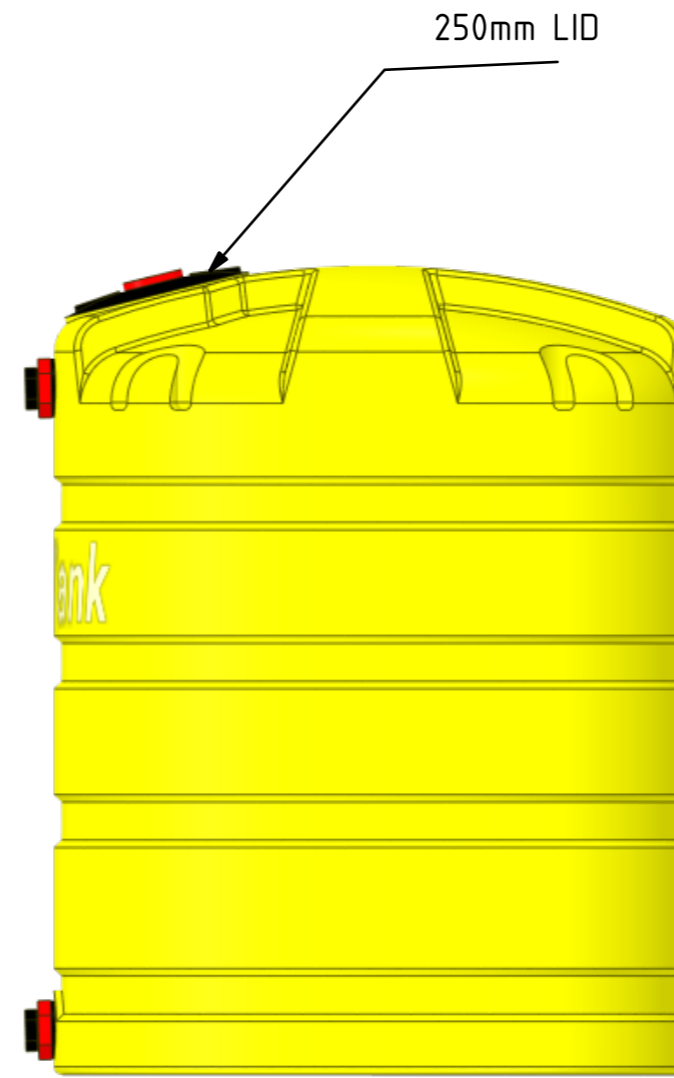
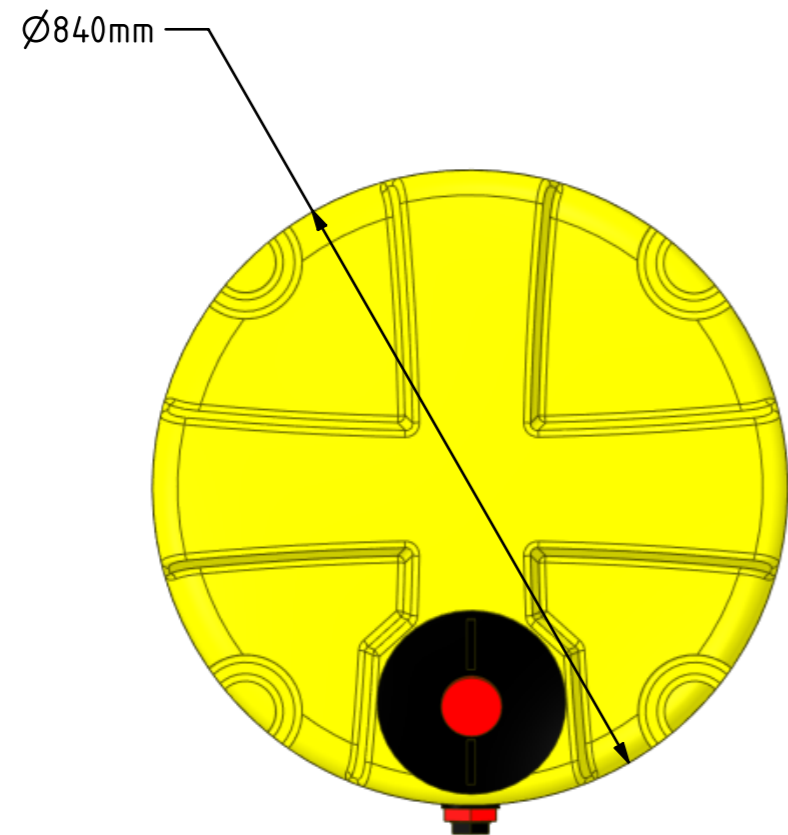


SCALE 1:10



SCALE 1:10



ACCESSORIES	
	50mm Red Fitting
	250mm LID

Date	Name
DRAWN	
CHECKED	
ENG. APPR.	
MFG APPR.	

TITLE: VERTICAL CHEMICAL STORAGE TANKS



PROPRIETARY AND CONFIDENTIAL
 THE INFORMATION CONTAINED IN THIS DRAWING IS
 THE SOLE PROPERTY OF ROTOTANK. ANY
 REPRODUCTION IN PART OR AS A WHOLE WITHOUT
 THE WRITTEN PERMISSION OF ROTOTANK IS
 PROHIBITED.

DWG No.	
V500C	
SHEET	1

NOTES:
 SIZES INDICATED IN THIS DRAWING ARE SUBJECT TO MATERIAL SHRINK VARIATIONS AND MAY VARY WITH APPROXIMATELY 3%.