

1050mm

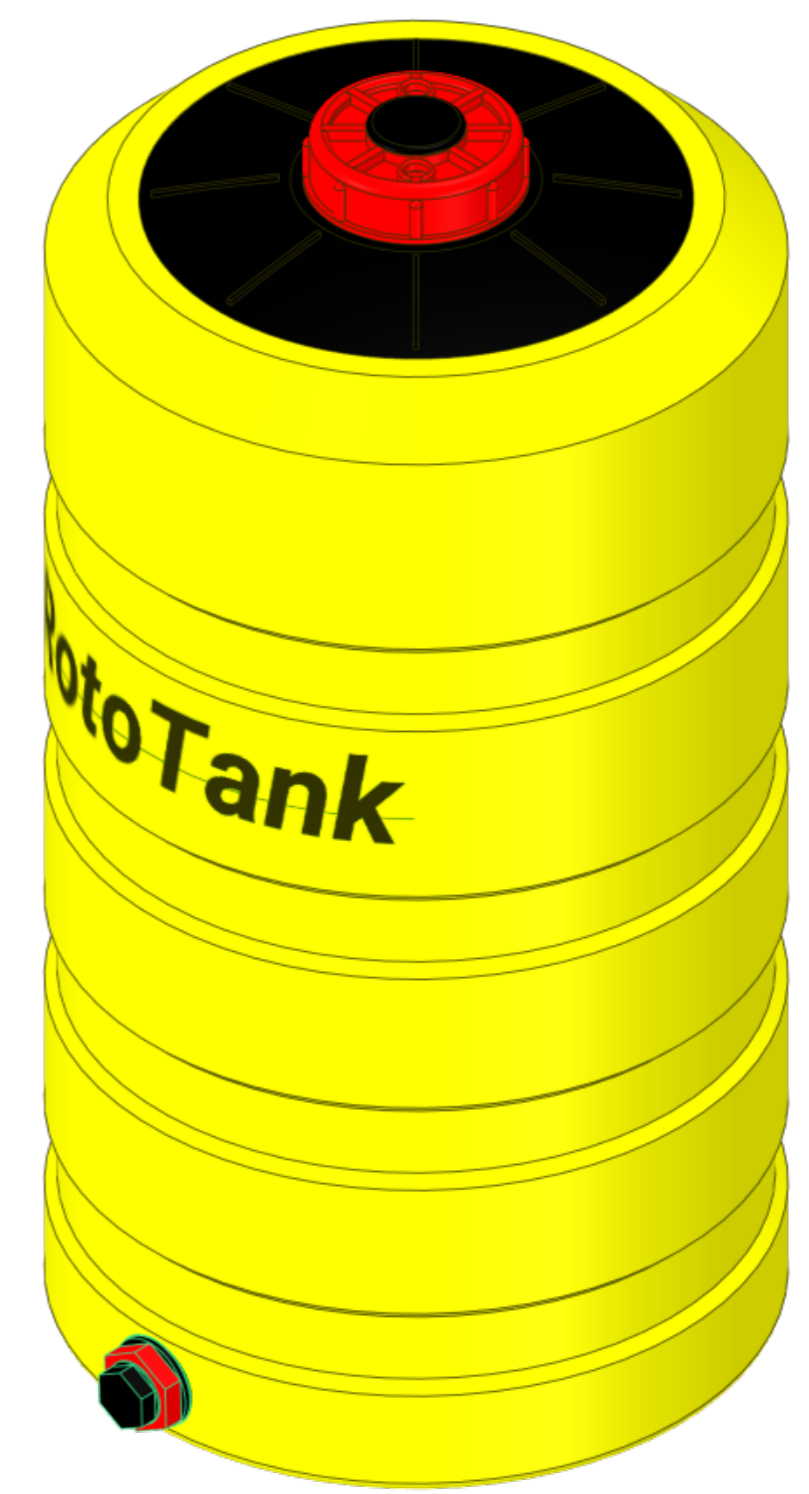
RotoTank

SCALE 1:6

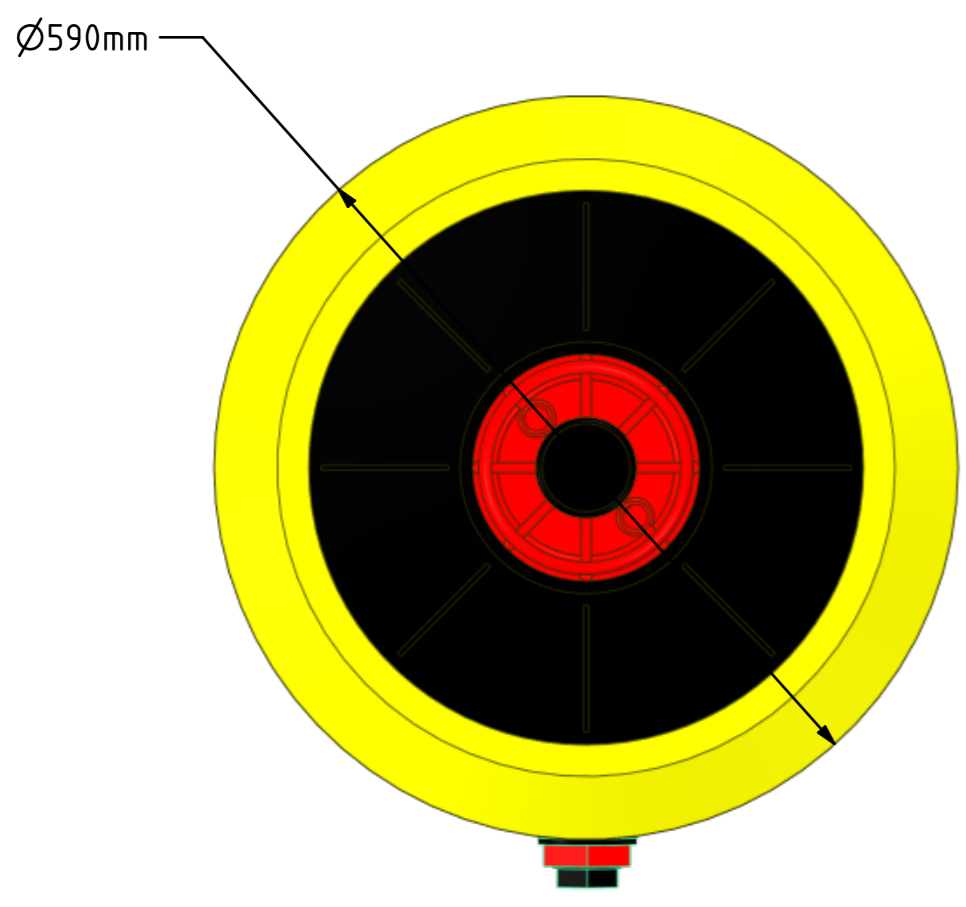


430mm LID

RotoTank



SCALE 1:6



Ø590mm

ACCESSORIES



50mm Red Fitting



430mm LID

Date	Name
DRAWN	
CHECKED	
ENG. APPR.	
MFG APPR.	

TITLE: VERTICAL CHEMICAL STORAGE TANKS



PROPRIETARY AND CONFIDENTIAL
THE INFORMATION CONTAINED IN THIS DRAWING IS THE SOLE PROPERTY OF ROTOTANK. ANY REPRODUCTION IN PART OR AS A WHOLE WITHOUT THE WRITTEN PERMISSION OF ROTOTANK IS PROHIBITED.

DWG No.
V250C
SHEET 1

NOTES:
SIZES INDICATED IN THIS DRAWING ARE SUBJECT TO MATERIAL SHRINK VARIATIONS AND MAY VARY WITH APPROXIMATELY 3%.