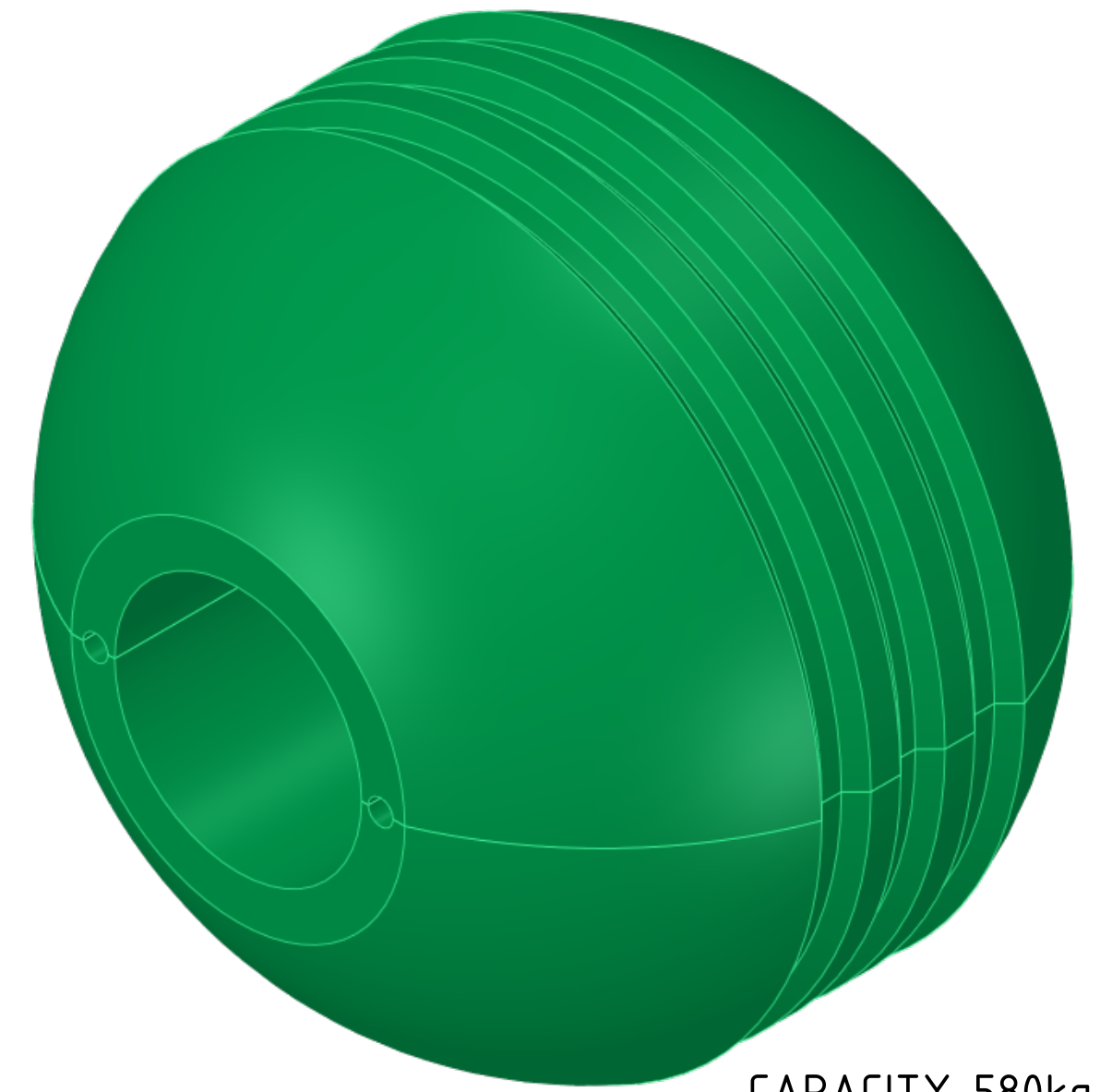
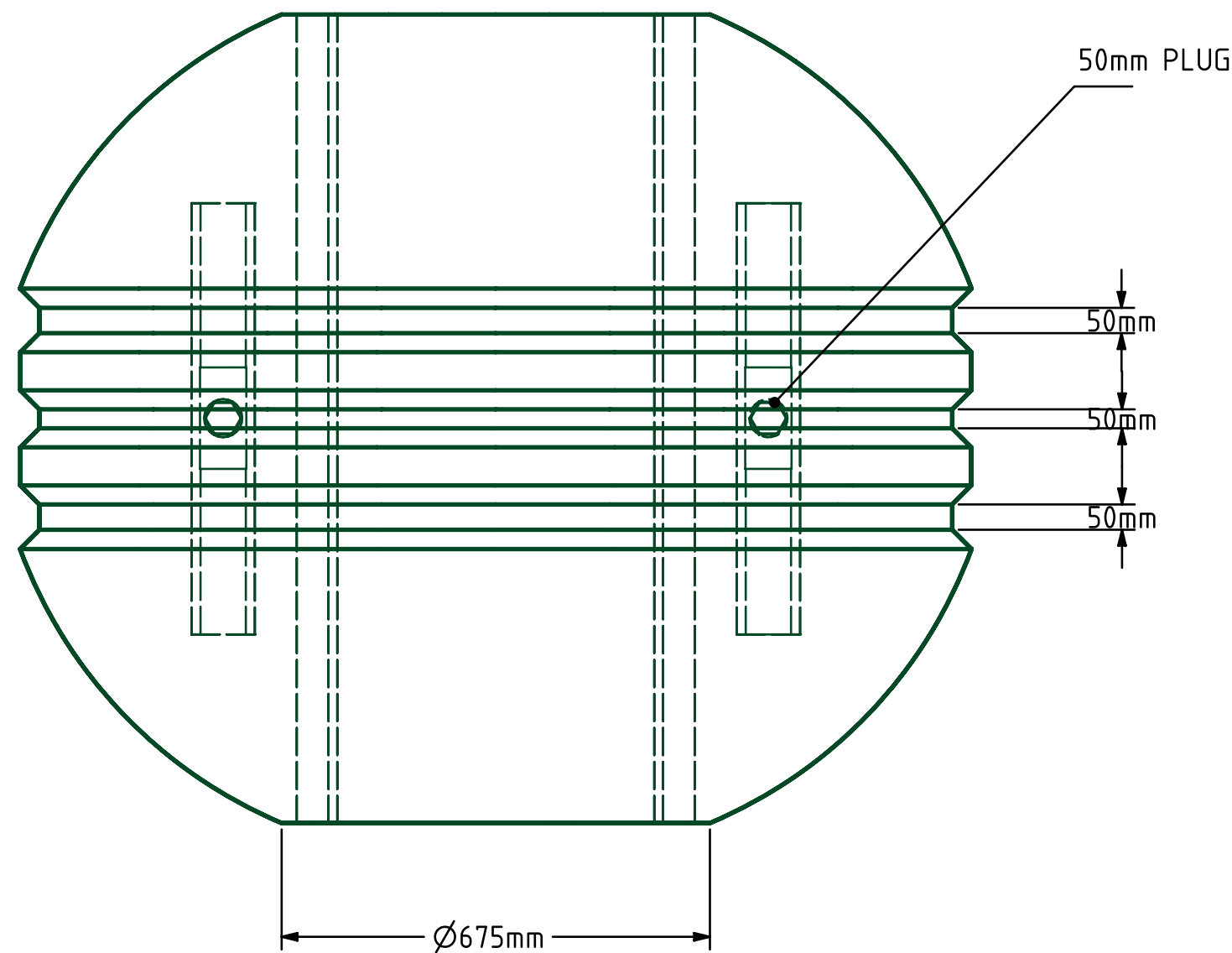


SCALE 1:10



CAPACITY 580kg

Date	Name
DRAWN	
CHECKED	
ENG. APPR.	
MFG APPR.	

TITLE: PIPE FLOATS

Manufacturers of Water, Chemical, Transport, Septic tanks and Silos

PROPRIETARY AND CONFIDENTIAL  
 THE INFORMATION CONTAINED IN THIS DRAWING IS  
 THE SOLE PROPERTY OF ROTOTANK. ANY  
 REPRODUCTION IN PART OR AS A WHOLE WITHOUT  
 THE WRITTEN PERMISSION OF ROTOTANK IS  
 PROHIBITED.

DWG No.  
**ID500-PIPE FLOAT**  
 SHEET 1

NOTES:  
 SIZES INDICATED IN THIS DRAWING ARE SUBJECT TO MATERIAL SHRINK VARIATIONS AND MAY VARY WITH APPROXIMATELY 3%.