

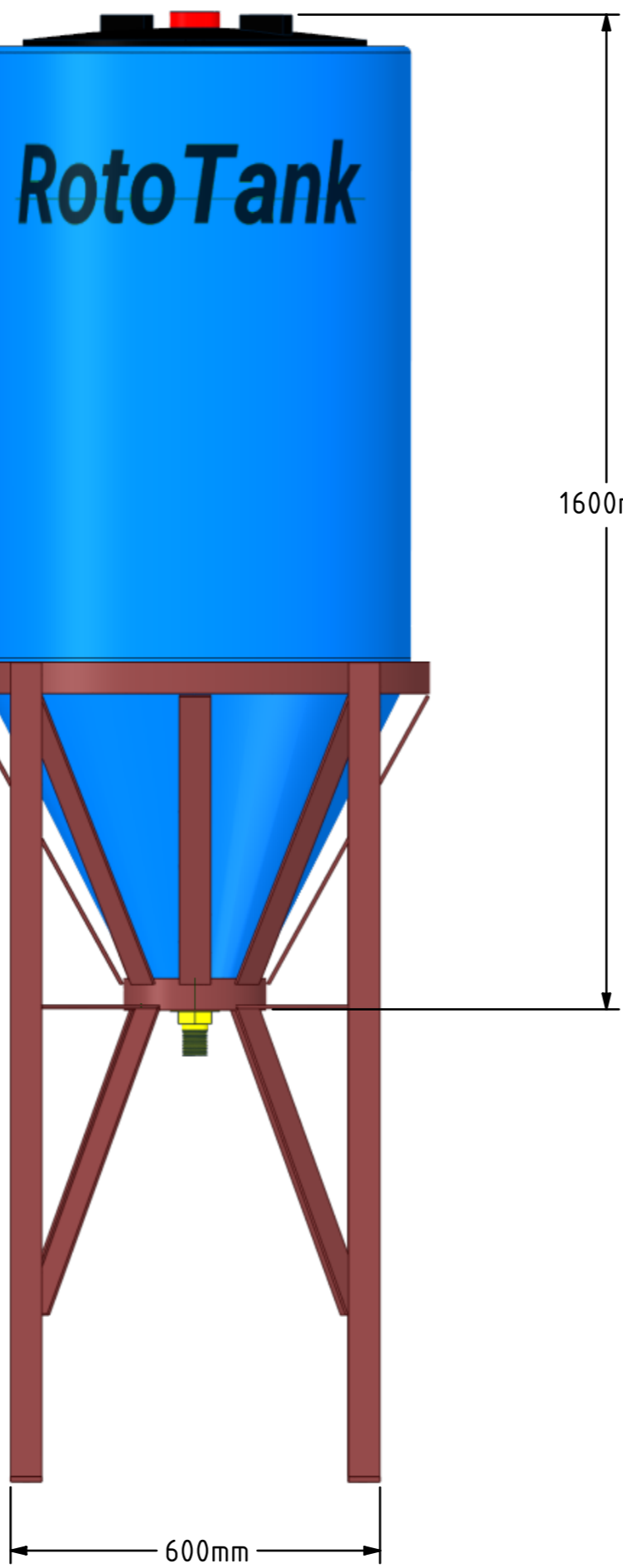
50mm
THREADED
CONNECTOR

60°

2300mm

1300mm

650mm

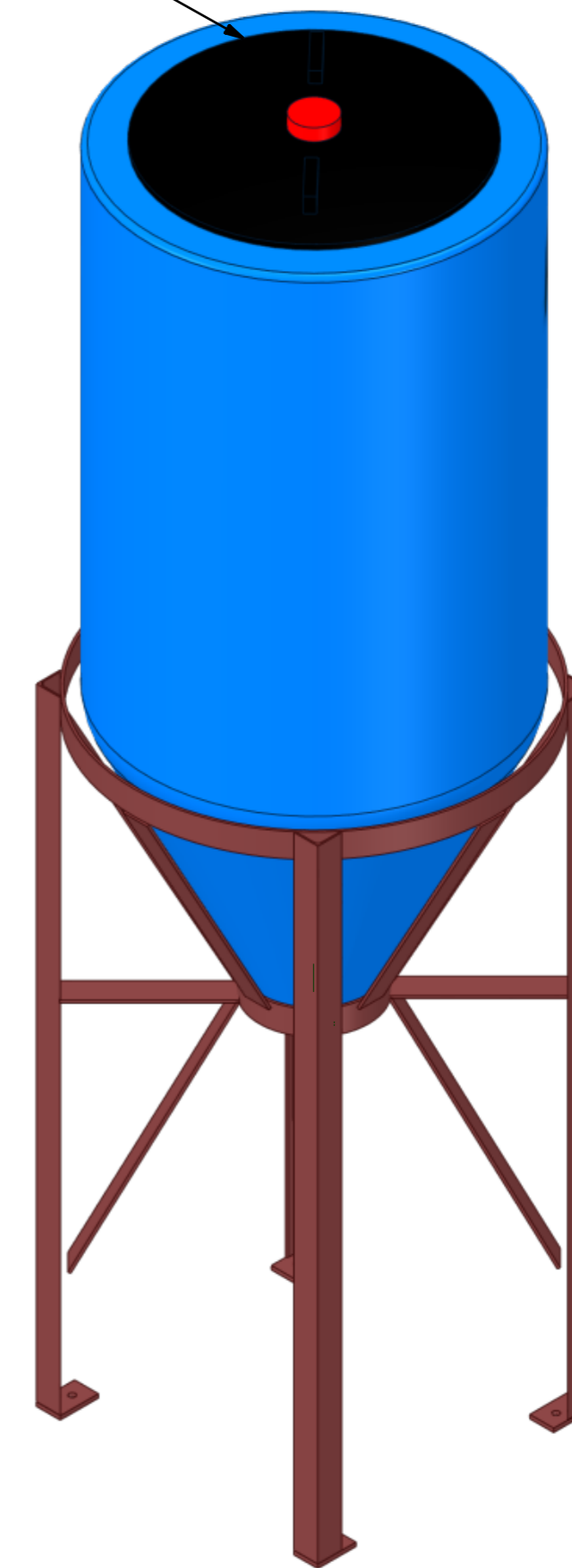


1600mm

600mm

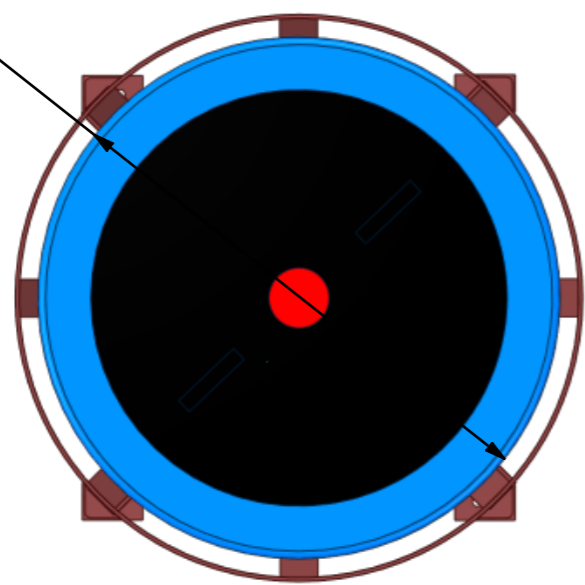
SCALE 1:10

450mm LID



SCALE 1:10

Ø685mm



NOTES:
SIZES INDICATED IN THIS DRAWING ARE SUBJECT TO MATERIAL SHRINK VARIATIONS AND MAY VARY WITH APPROXIMATELY 3%.

Date	Name
DRAWN	
CHECKED	
ENG. APPR.	
MEG APPR.	

TITLE: SILOS FOR LIQUID AND BULK STORAGE



PROPRIETARY AND CONFIDENTIAL
THE INFORMATION CONTAINED IN THIS DRAWING IS
THE SOLE PROPERTY OF ROTOTANK. ANY
REPRODUCTION IN PART OR AS A WHOLE WITHOUT
THE WRITTEN PERMISSION OF ROTOTANK IS
PROHIBITED.

DWG No.

S400L & STAND

SHEET

1