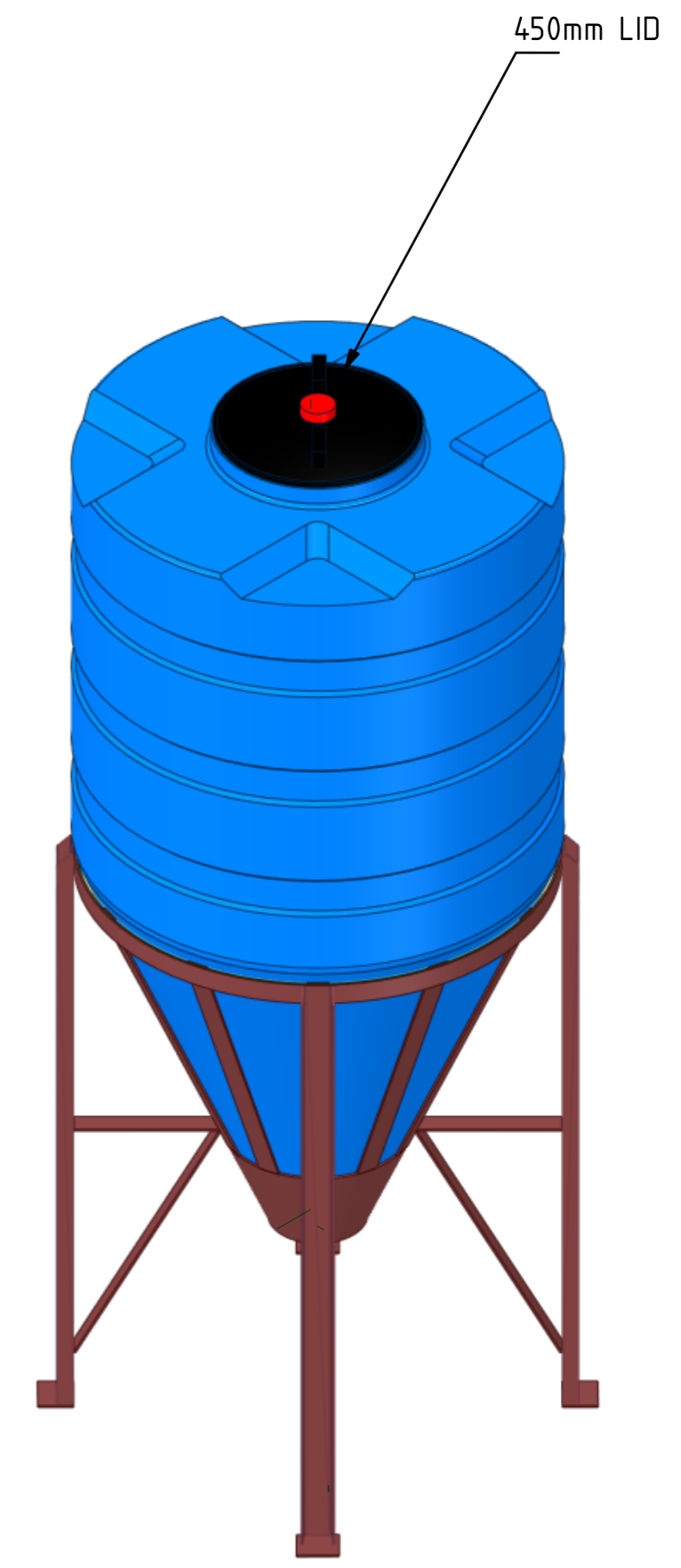
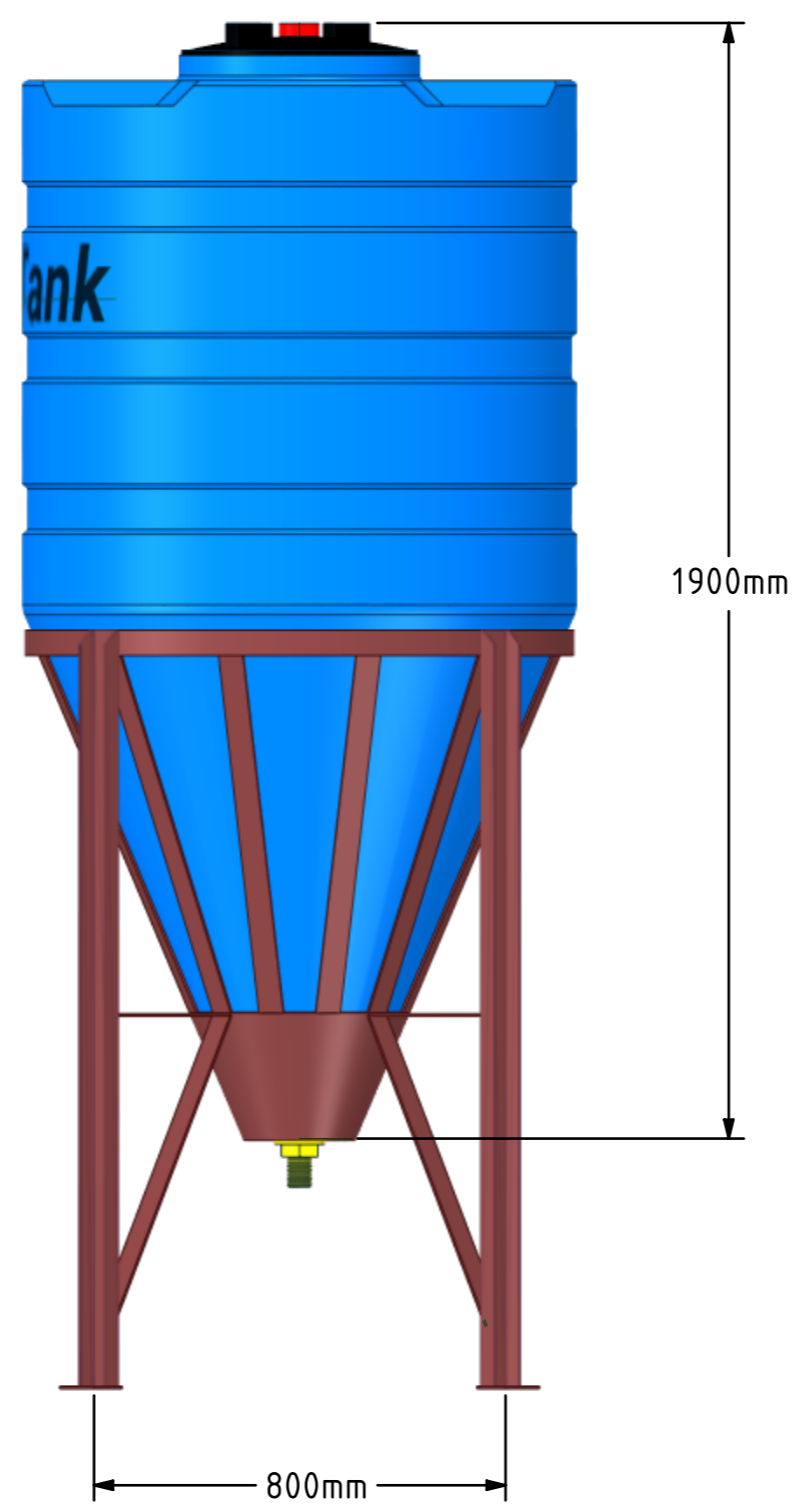
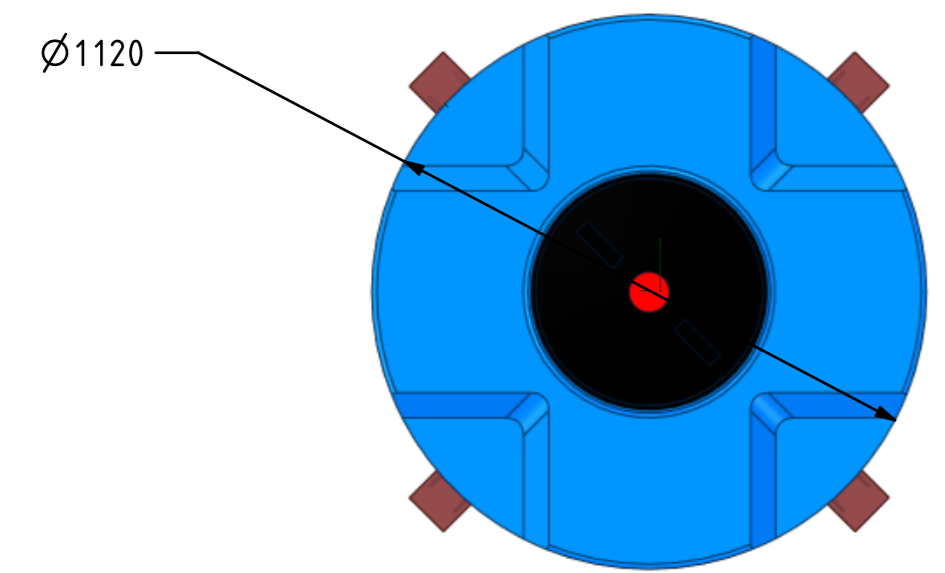


SCALE 1:15



SCALE 1:15



NOTES:
SIZES INDICATED IN THIS DRAWING ARE SUBJECT TO MATERIAL SHRINK VARIATIONS AND MAY VARY WITH APPROXIMATELY 3%.

Date	Name	TITLE: SILOS FOR LIQUID AND BULK STORAGE
DRAWN		
CHECKED		
ENG. APPR.		
MEG APPR.		 <i>Manufacturers of Water, Chemical, Transport, Septic tanks and Silos</i>

PROPRIETARY AND CONFIDENTIAL
THE INFORMATION CONTAINED IN THIS DRAWING IS
THE SOLE PROPERTY OF ROTOTANK. ANY
REPRODUCTION IN PART OR AS A WHOLE WITHOUT
THE WRITTEN PERMISSION OF ROTOTANK IS
PROHIBITED.

DWG No.
S1200L & STAND
SHEET 1