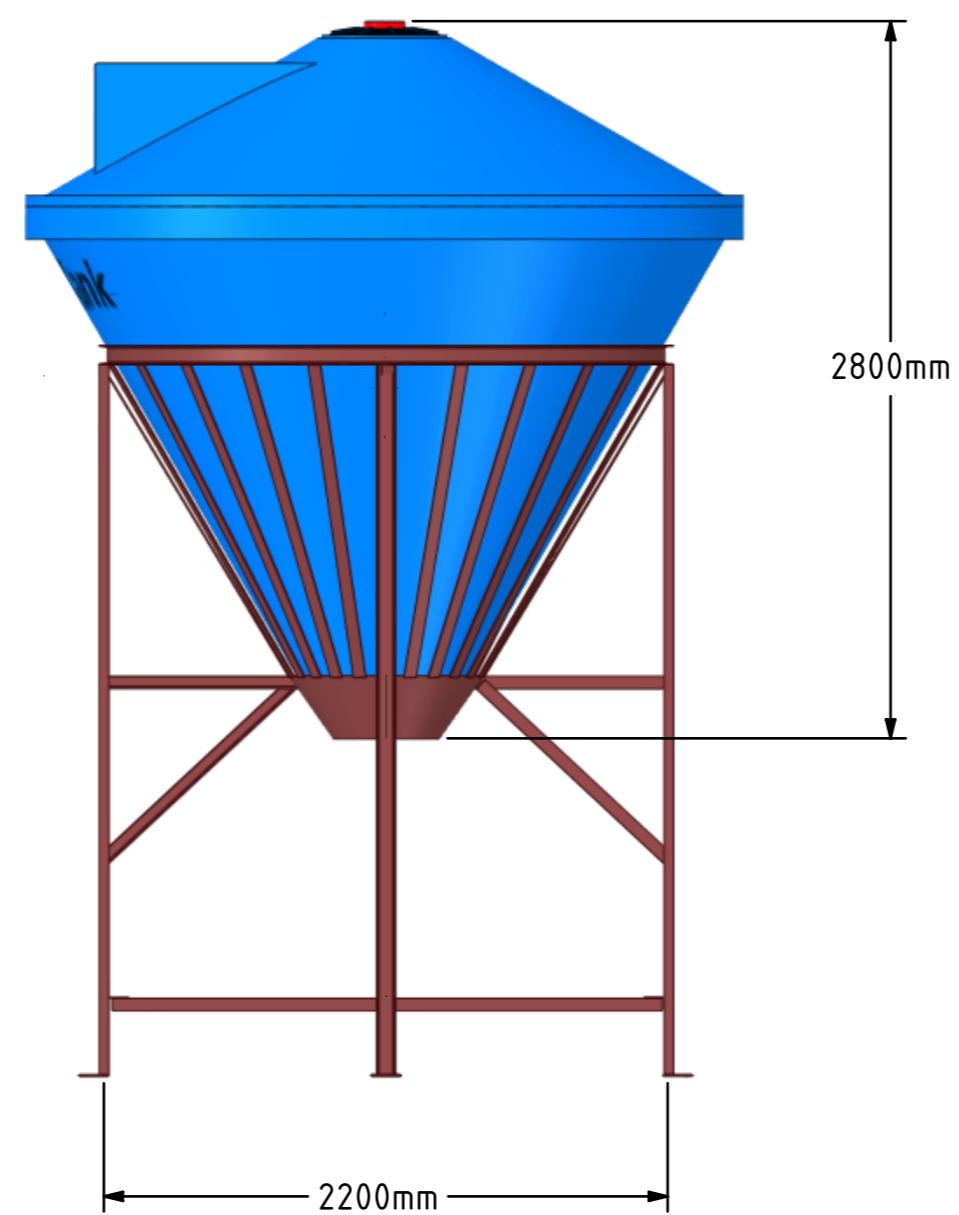
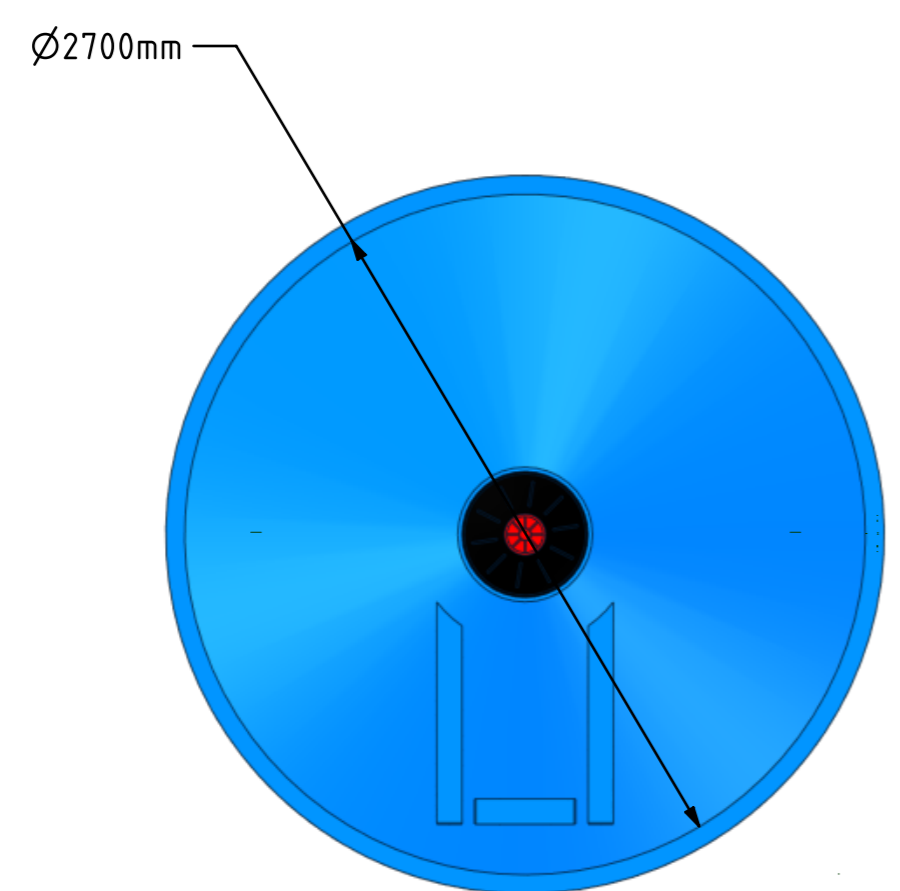


SCALE 1:30



SCALE 1:30



NOTES:  
SIZES INDICATED IN THIS DRAWING ARE SUBJECT TO MATERIAL SHRINK VARIATIONS AND MAY VARY WITH APPROXIMATELY 3%.

Date	Name	TITLE: SILOS FOR LIQUID AND BULK STORAGE
DRAWN		
CHECKED		
ENG. APPR.		
MEG APPR.		<p>Manufacturers of Water, Chemical, Transport, Septic tanks and Silos</p>

PROPRIETARY AND CONFIDENTIAL  
THE INFORMATION CONTAINED IN THIS DRAWING IS  
THE SOLE PROPERTY OF ROTOTANK. ANY  
REPRODUCTION IN PART OR AS A WHOLE WITHOUT  
THE WRITTEN PERMISSION OF ROTOTANK IS  
PROHIBITED.

DWG No.  
**8\_3 Silo & Stand**

SHEET 1