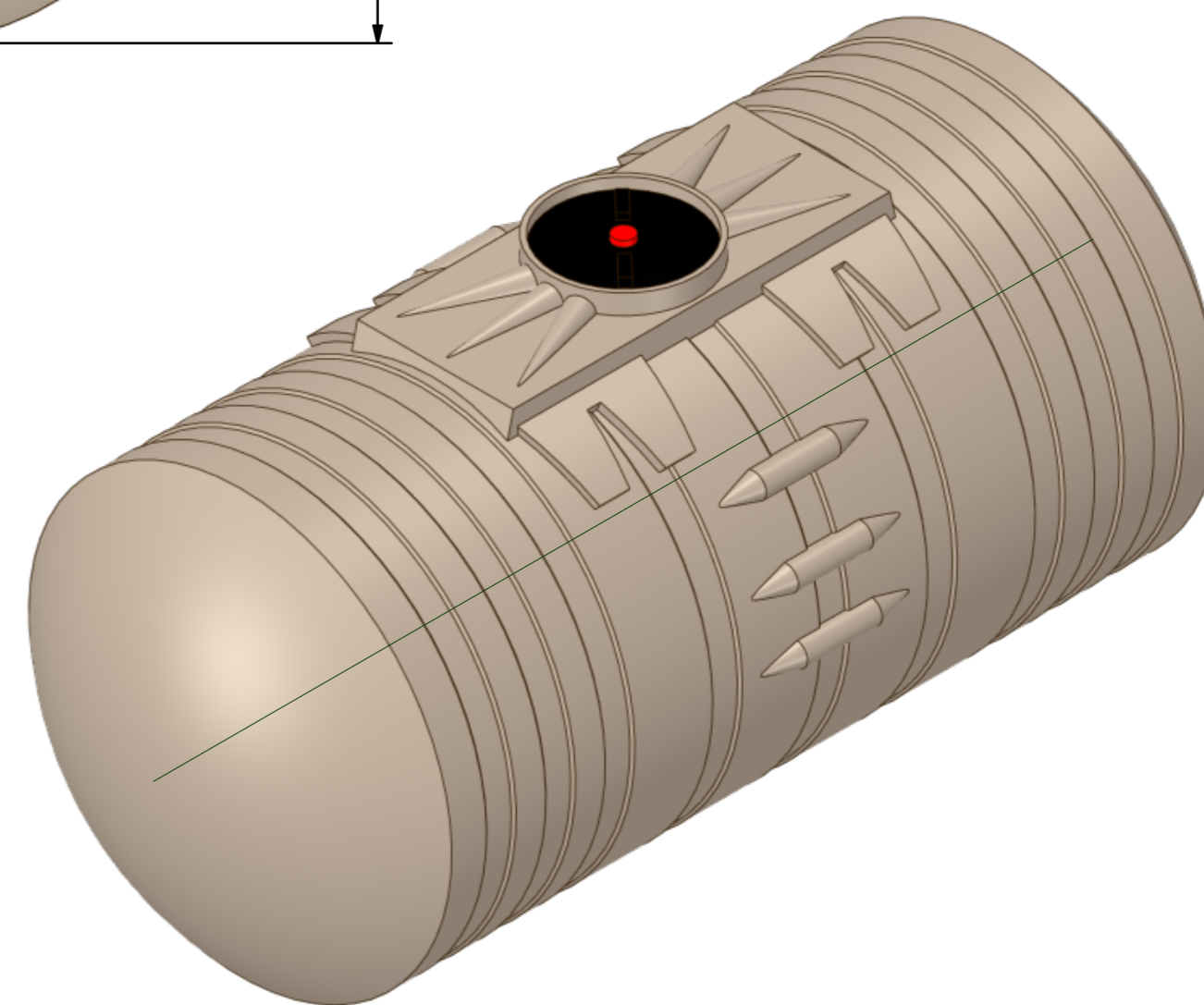
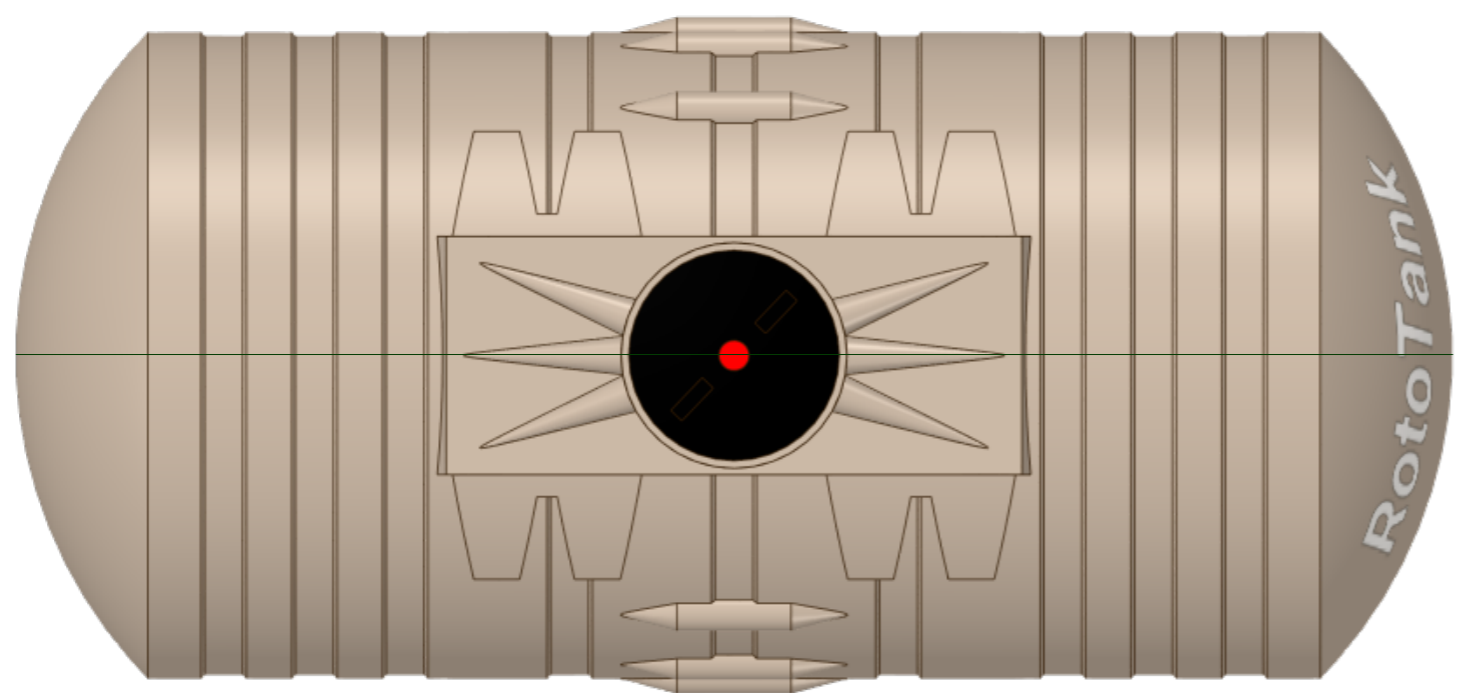
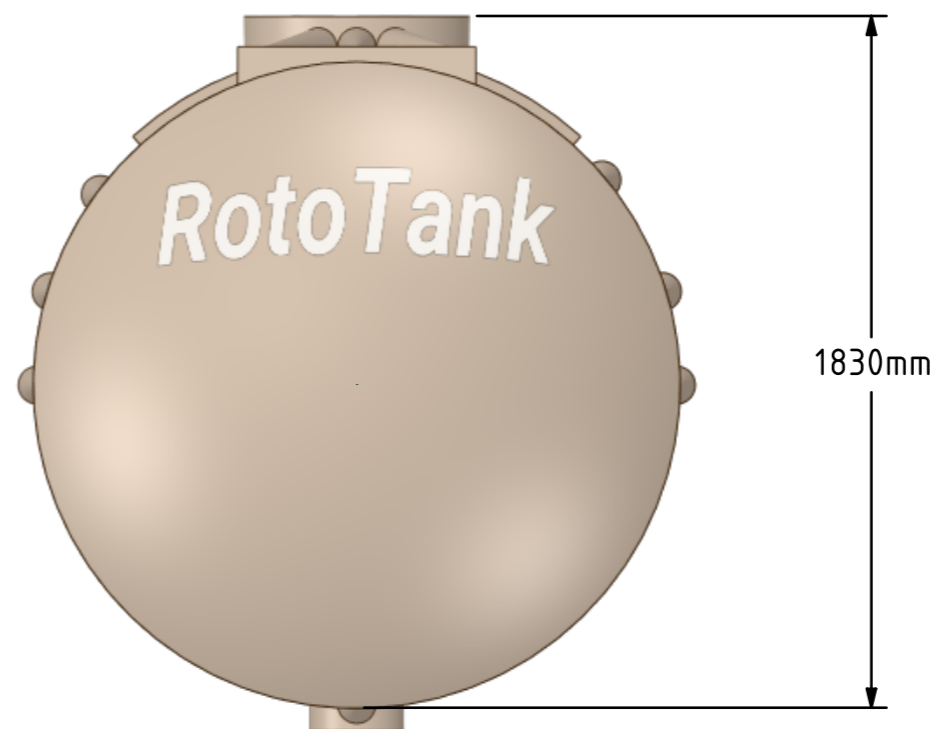


SCALE 1:20



35 PEOPLE
MAX

Date	Name
DRAWN	
CHECKED	
ENG. APPR.	
MFG APPR.	

TITLE: UNDERGROUND STORAGE TANKS



PROPRIETARY AND CONFIDENTIAL
THE INFORMATION CONTAINED IN THIS DRAWING IS
THE SOLE PROPERTY OF ROTOTANK. ANY
REPRODUCTION IN PART OR AS A WHOLE WITHOUT
THE WRITTEN PERMISSION OF ROTOTANK IS
PROHIBITED.

DWG No.

8000 UNDERGROUND

SHEET

1

NOTES:
SIZES INDICATED IN THIS DRAWING ARE SUBJECT TO MATERIAL SHRINK VARIATIONS AND MAY VARY WITH APPROXIMATELY 3%.