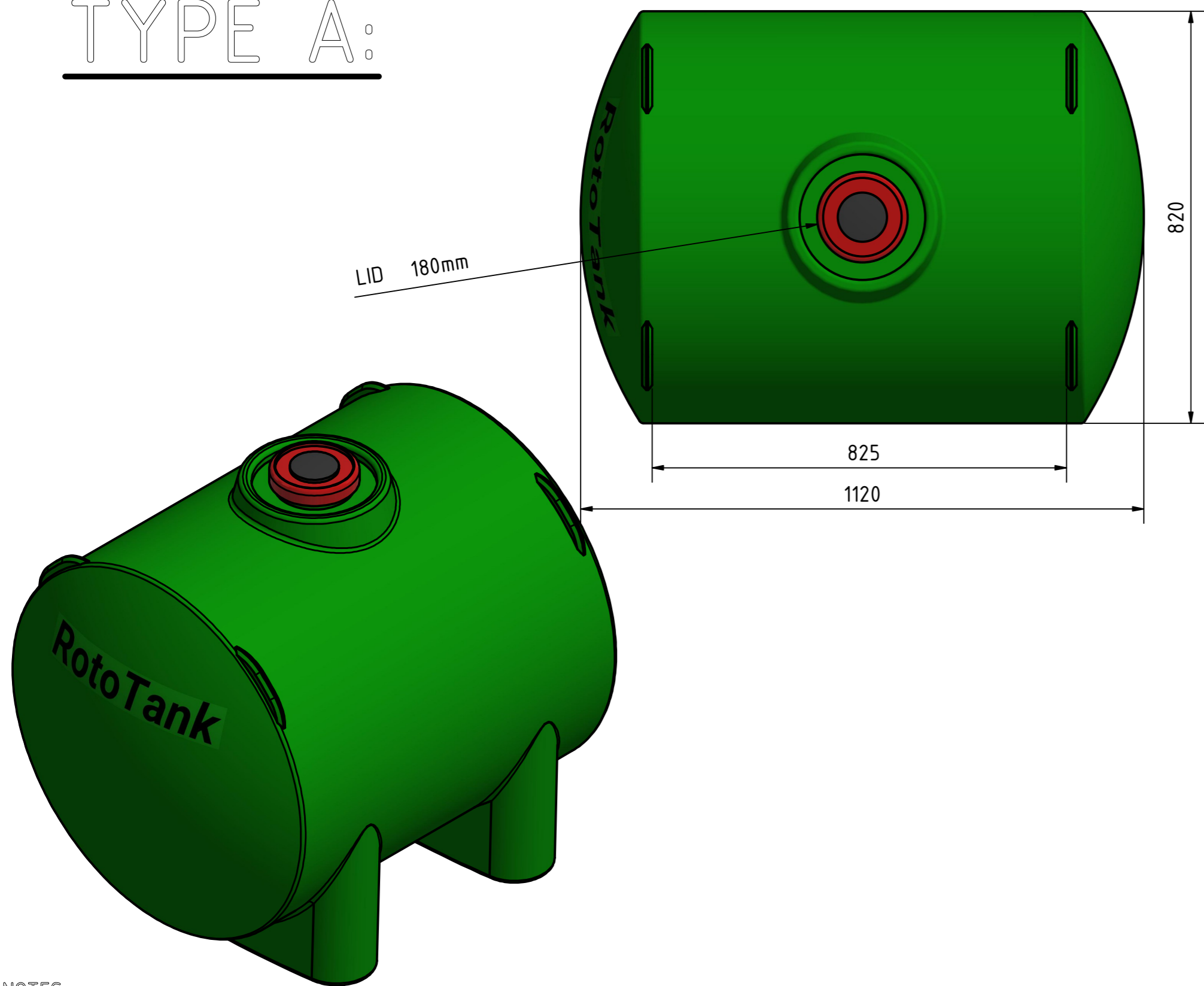
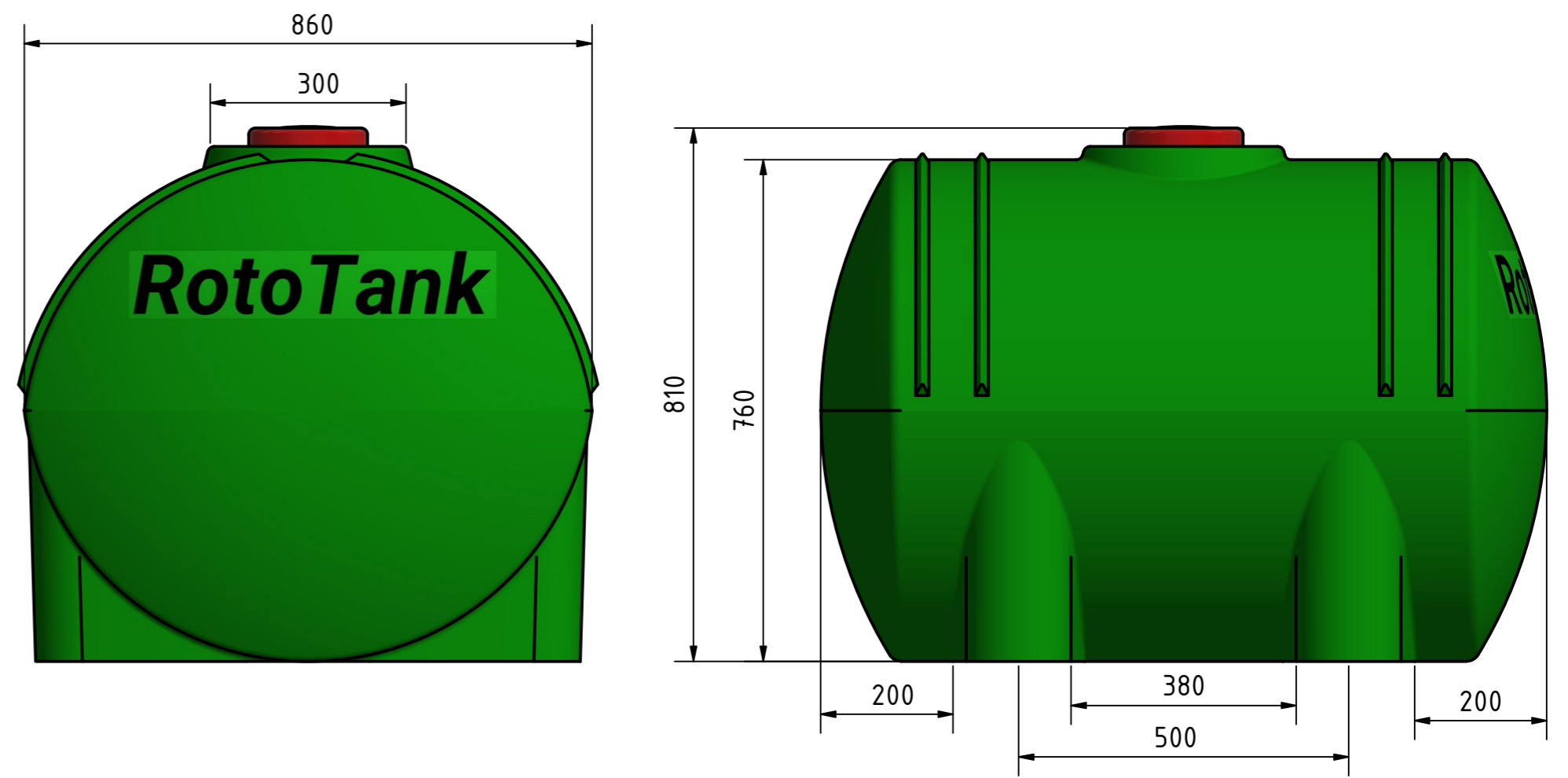


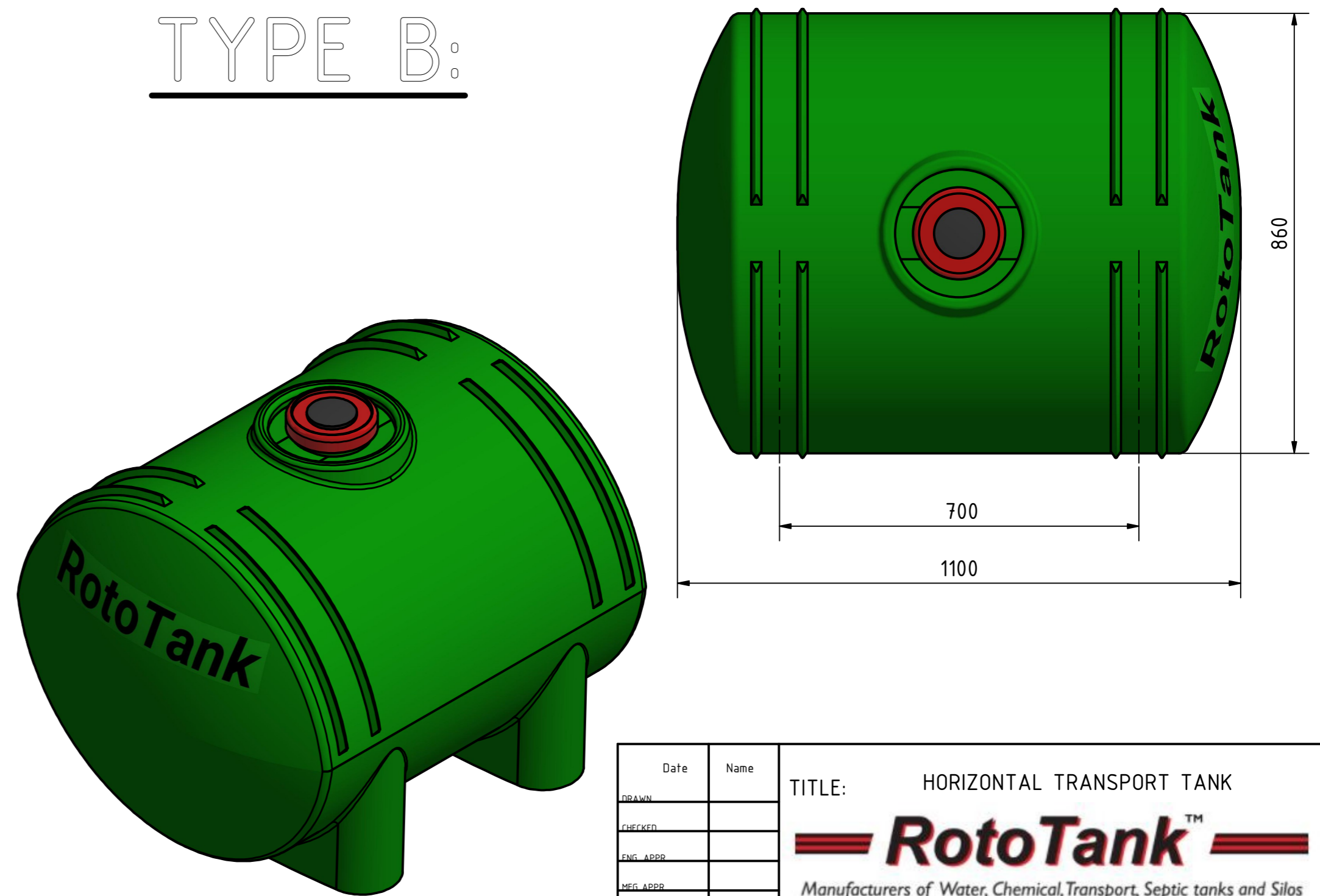
TYPE A:



NOTES:  
DUE TO OUR MANUFACTURING PROCESS SIZES MAY VARY



TYPE B:



Date	Name
DRAWN	
CHECKED	
ENGR. APPROV.	
MGR. APPROV.	

TITLE: HORIZONTAL TRANSPORT TANK  
**RotoTank™**  
 Manufacturers of Water, Chemical, Transport, Septic tanks and Silos

PROPRIETARY AND CONFIDENTIAL  
 THE INFORMATION CONTAINED IN THIS DRAWING IS  
 THE SOLE PROPERTY OF ROTOTANK. ANY  
 REPRODUCTION IN PART OR AS A WHOLE WITHOUT  
 THE WRITTEN PERMISSION OF ROTOTANK IS  
 PROHIBITED.

DWG No.  
**H500L-WATER**  
 SHEET 1