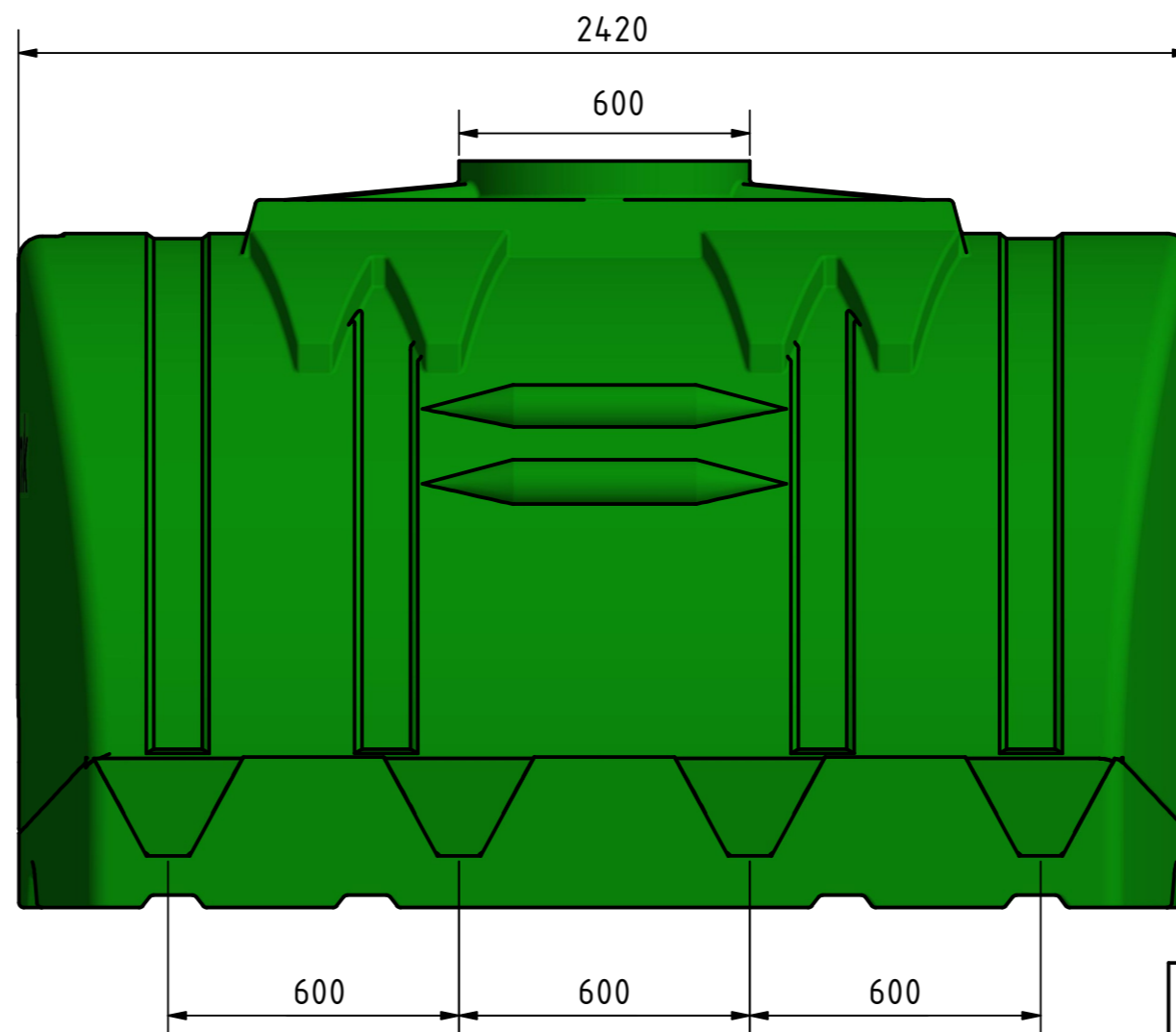
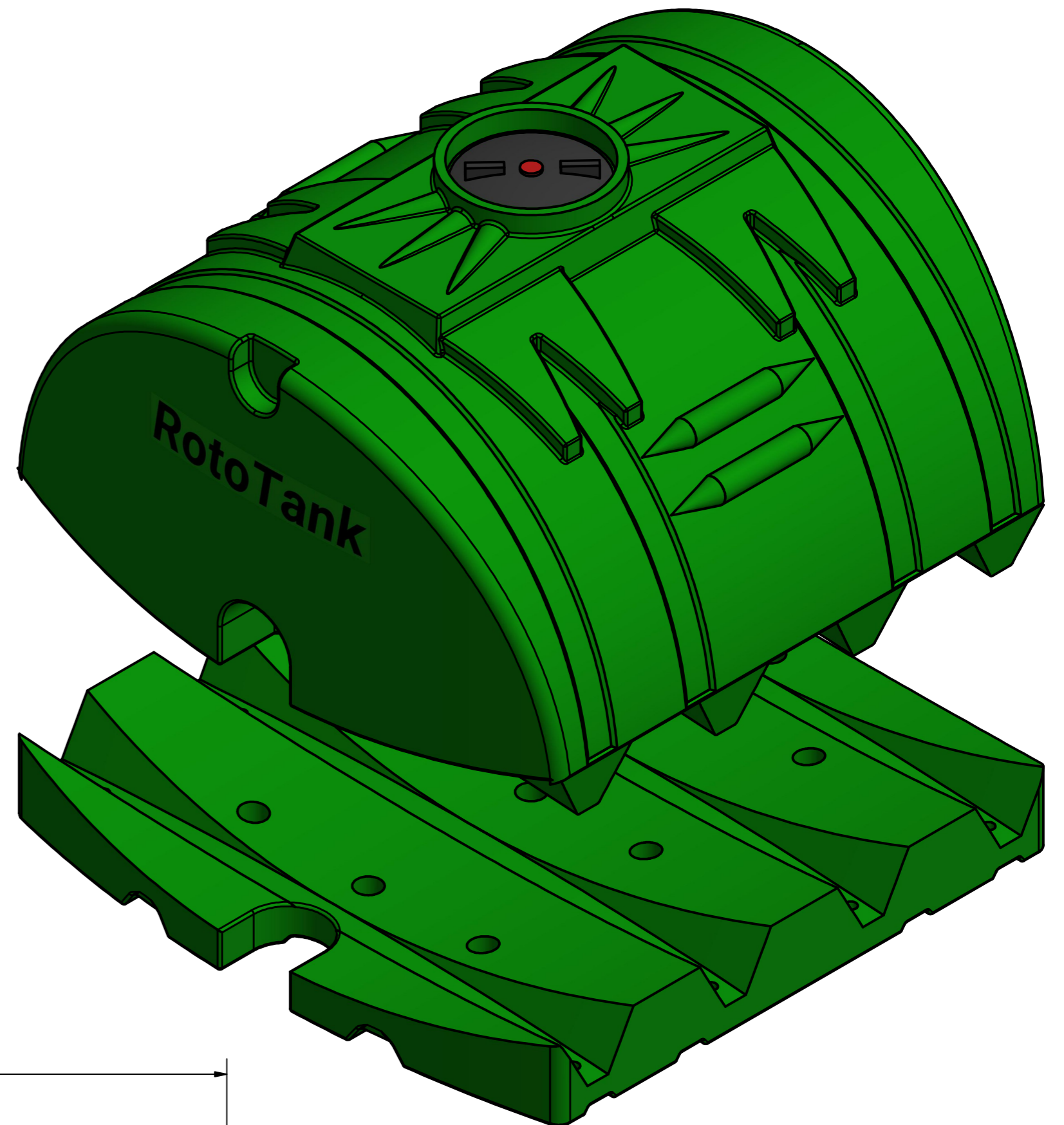


2380

LID 450 / 180mm

A (1 : 15)



A ↓

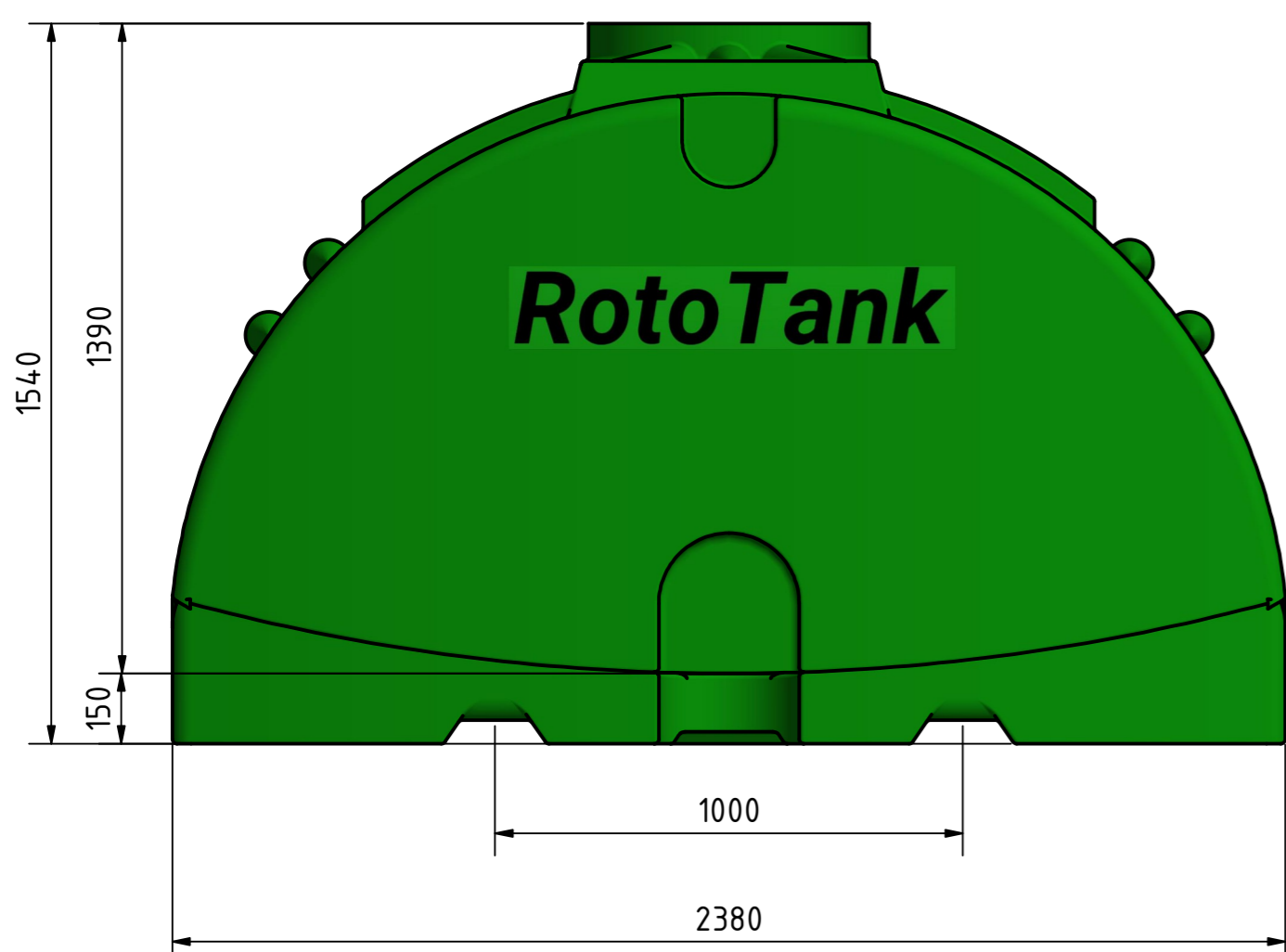
2420

600

600

600

600



1540

1390

RotoTank

1000

2380

NOTES:
DUE TO OUR MANUFACTURING PROCESS SIZES MAY VARY..

Date	Name
DRAWN	
CHECKED	
ENGR. APPROV.	
MFG. APPROV.	

TITLE: HORIZONTAL DECANT-a-TANK
RotoTank™
 Manufacturers of Water, Chemical, Transport, Septic tanks and Silos

PROPRIETARY AND CONFIDENTIAL
 THE INFORMATION CONTAINED IN THIS DRAWING IS
 THE SOLE PROPERTY OF ROTOTANK. ANY
 REPRODUCTION IN PART OR AS A WHOLE WITHOUT
 THE WRITTEN PERMISSION OF ROTOTANK IS
 PROHIBITED.

DWG No.
DH6000L - WATER
 SHEET 1