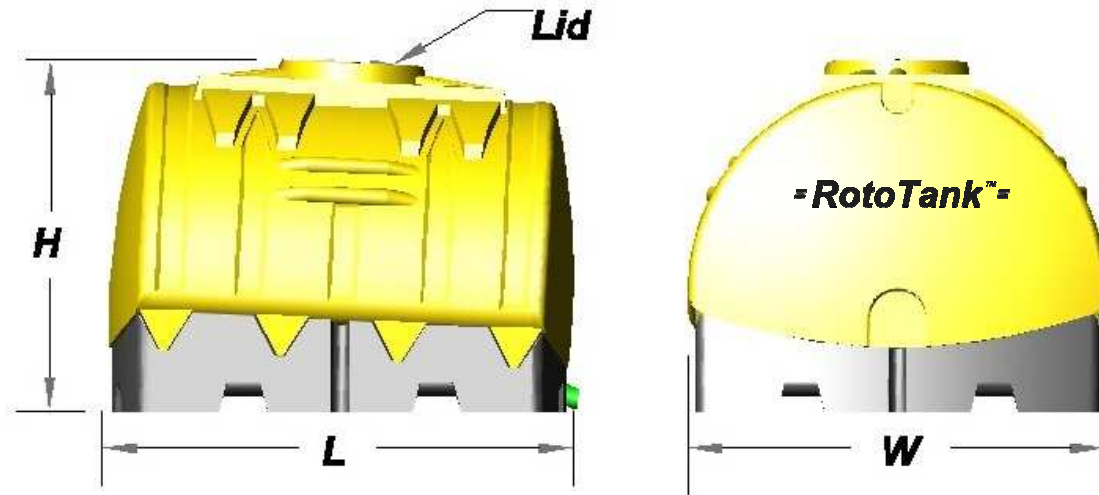


# RotoTank™

Manufacturers of Water, Chemical, Transport, Septic tanks and Silos

## Horizontal Decant-a-Tank™



Type	Length(L)	Width(W)	Height(H)	Lid	A/B	Colour
HD2500 It	2000mm	1800mm	1500mm	D/L	40mm	std
HD Pallet	2000mm	1750mm	400mm	NA	NA	std
HD6000 It	2300mm	2500mm	1800mm	D/L	50mm	std
HD Pallet	2300mm	2500mm	300mm	NA	NA	std

S\* Safety Lid 160mm with 430mm Screw down base (Optional 450mm manhole lid)  
 D 165mm Screw on lid with rubber gasket  
 L 450mm Manhole lid  
 A\* Std connector or optional others (50mm plastic, 50mm Stainless, 75mm Stainless)  
 B\* Optional overflow, plastic or stainless  
 STD Rototank has a full range of standard colours to choose from

Watertank SG1.0	Medium Duty SG1.4	Heavy Duty SG1.6	Extra Heavy Duty SG1.8
-----------------	-------------------	------------------	------------------------